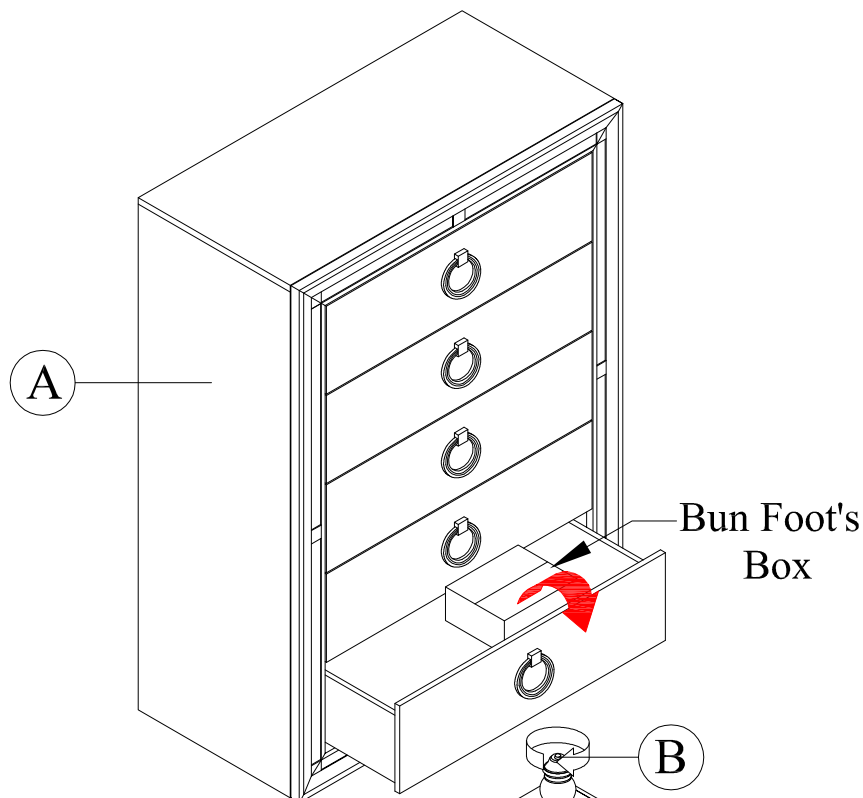


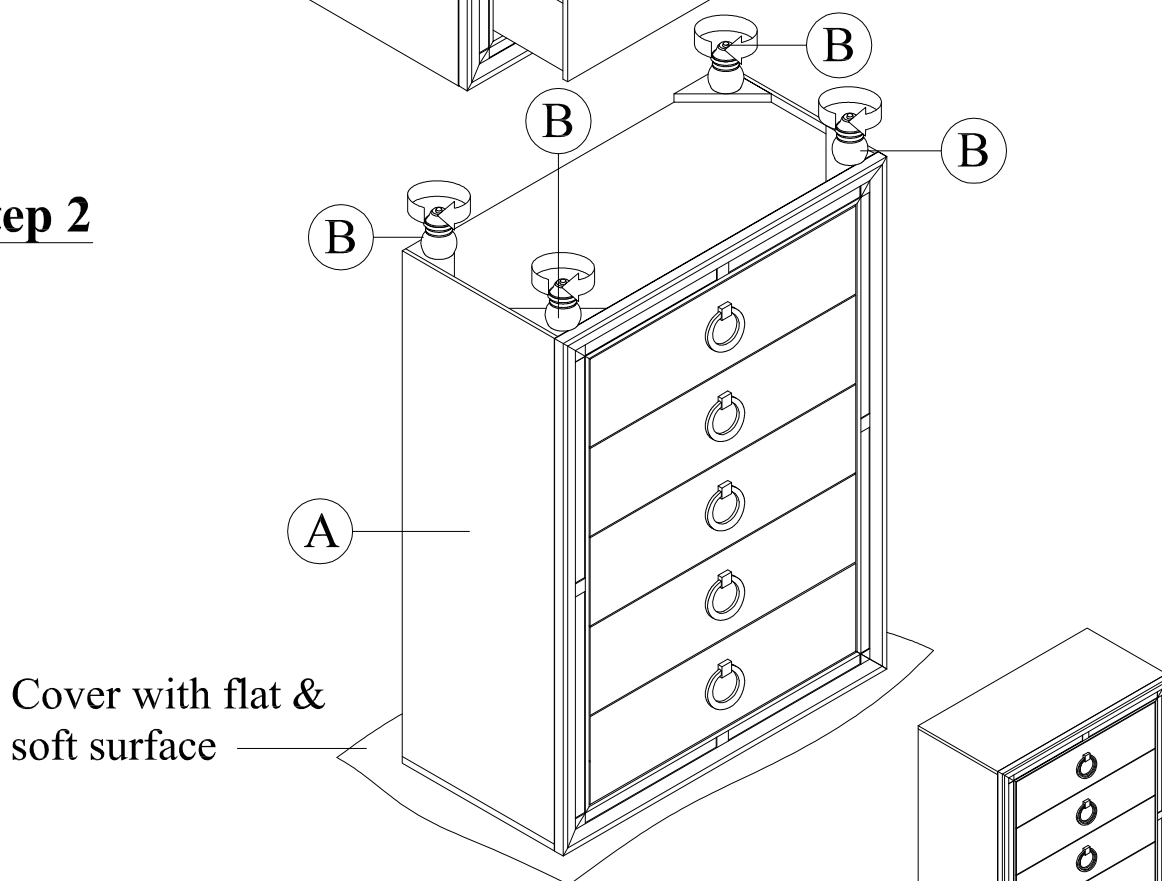
ASSEMBLY INSTRUCTION


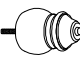
MODEL NO: CHEST

Step 1



Step 2



ITEM	DRAWING	DESCRIPTION	QTY
A		CHEST	1
B		BUN FOOT	4

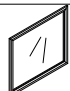
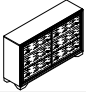
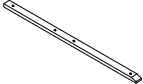

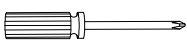
**COMPLETED CHEST
ASSEMBLY**

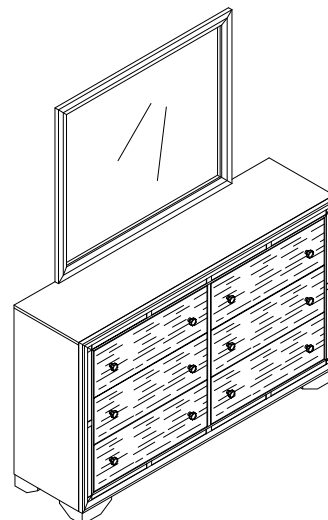
MADE IN MALAYSIA

1623SV CHEST

ASSEMBLY INSTRUCTION

MODEL NO: RILEY

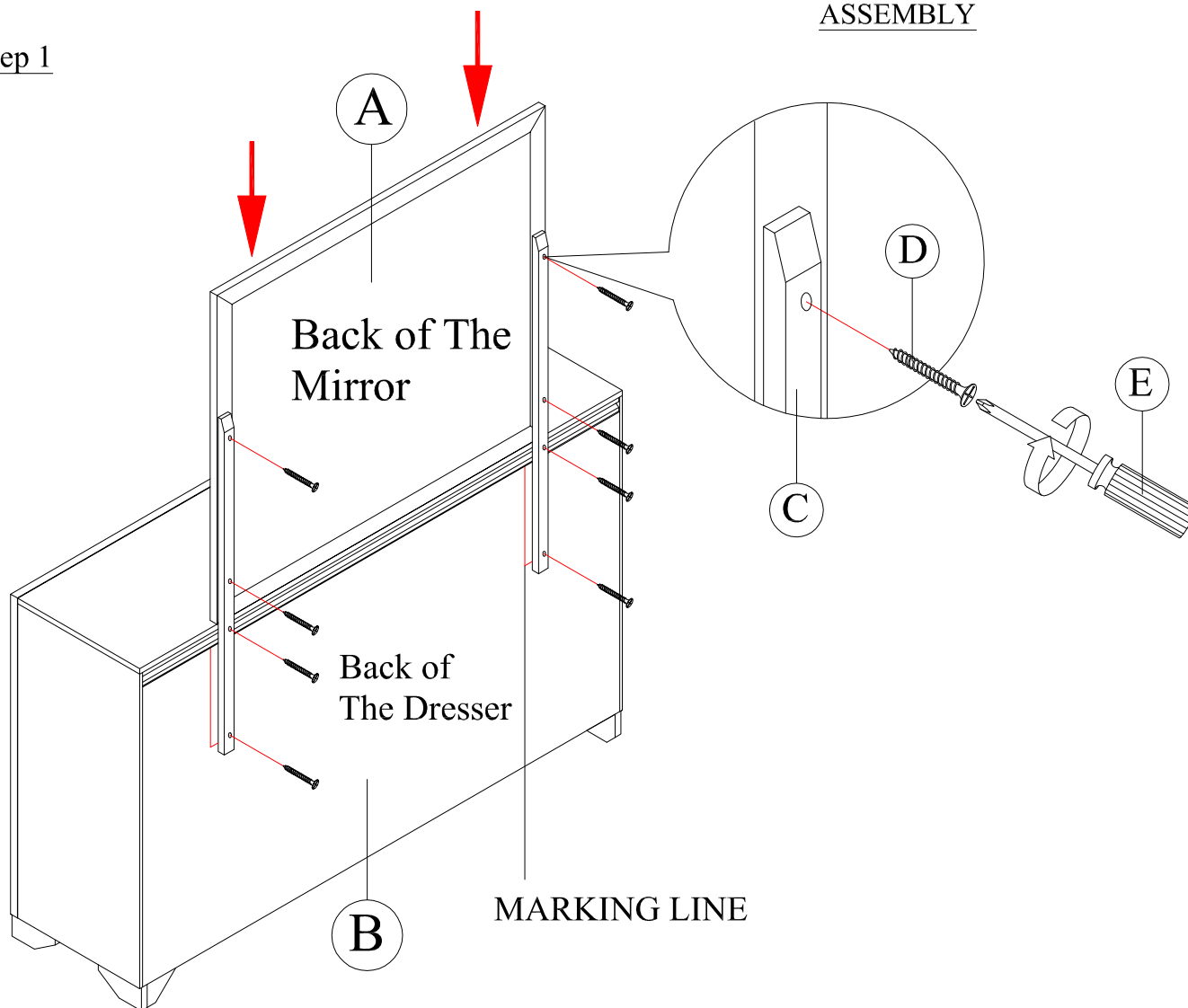
ITEM	DRAWING	DESCRIPTION	QTY
A		MIRROR	1
B		DRESSER	1
C		MIRROR BACK SUPPORT	2
D		CB SCREW (M4 x 32mm)	8
E		SCREW DRIVER (*)	1



COMPLETED DRESSER & MIRROR
ASSEMBLY

(*) The manufacturer does not provide item E

Step 1



NOTE : MUST TIGHTEN SCREWS PERIODICALLY. WITH USE SCREWS MAY BECOME LOOSE.
CHECK TIGHTNESS OF ALL SCREWS EVERY 6-8 WEEKS.

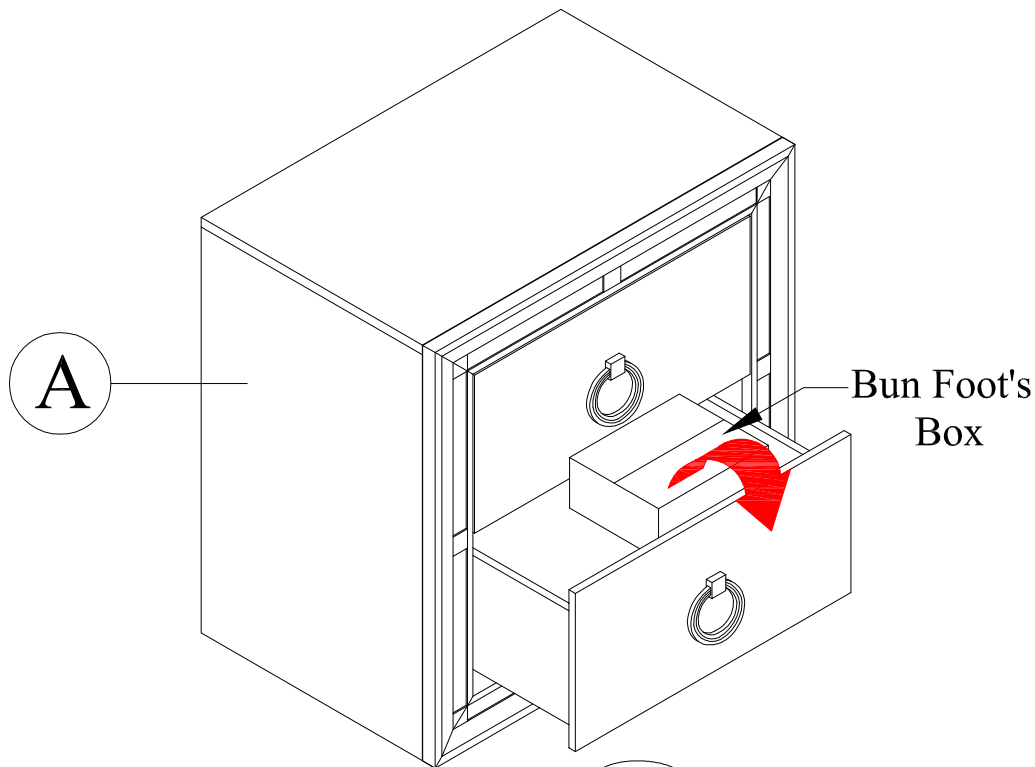
CLEANING INSTRUCTION

After assembled, clean & polish the completed parts if necessary with soft cloth and industrial recognized furniture polish

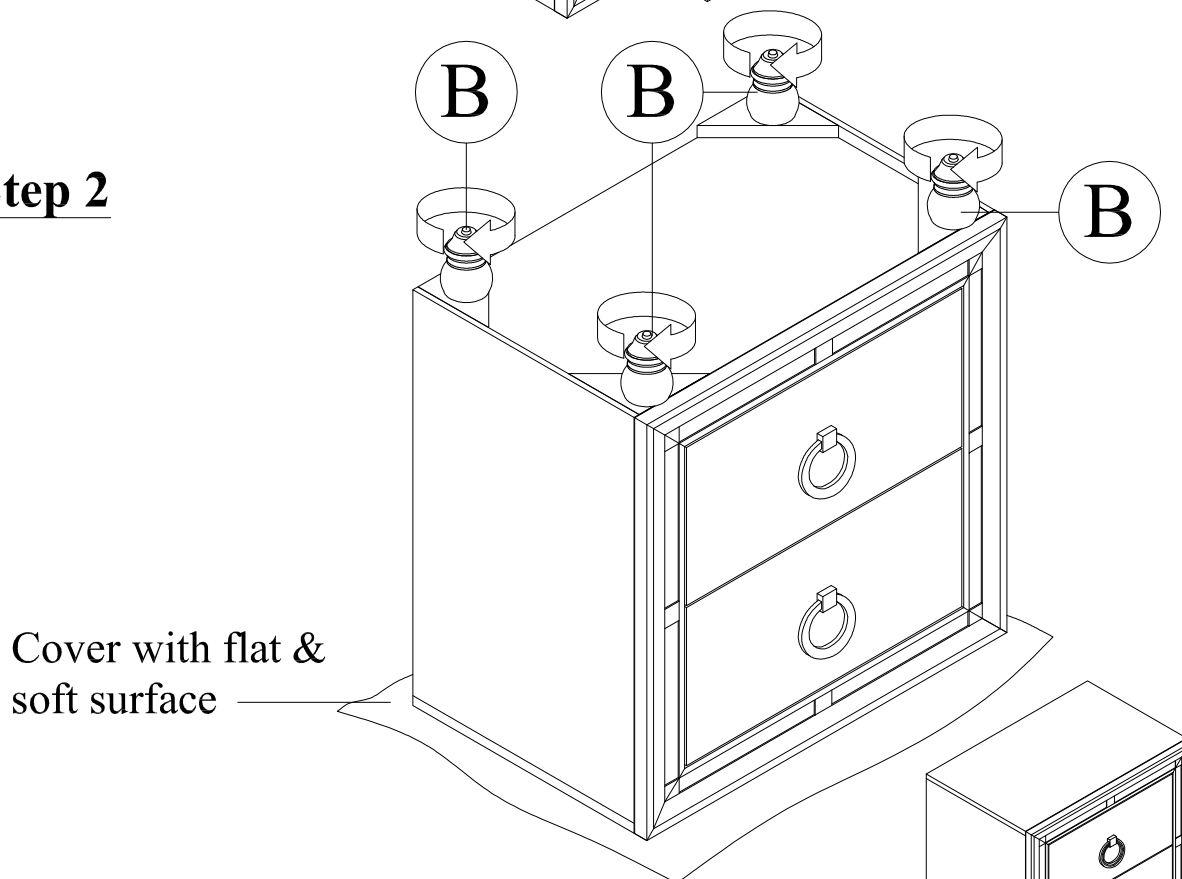
ASSEMBLY INSTRUCTION

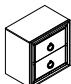

MODEL NO: NIGHT STAND

Step 1



Step 2



ITEM	DRAWING	DESCRIPTION	QTY
A		NIGHT STAND	1
B		BUN FOOT	4




**COMPLETED NIGHT STAND
ASSEMBLY**





MADE IN MALAYSIA

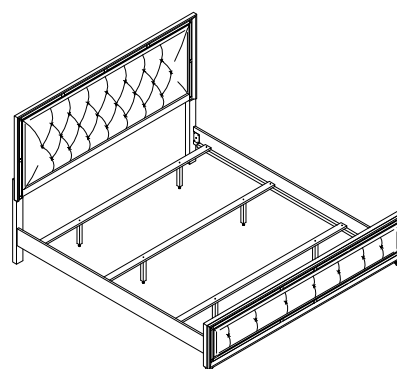
1623SV NIGHT STAND

ASSEMBLY INSTRUCTION

MODEL NO: EK KING HEADBOARD

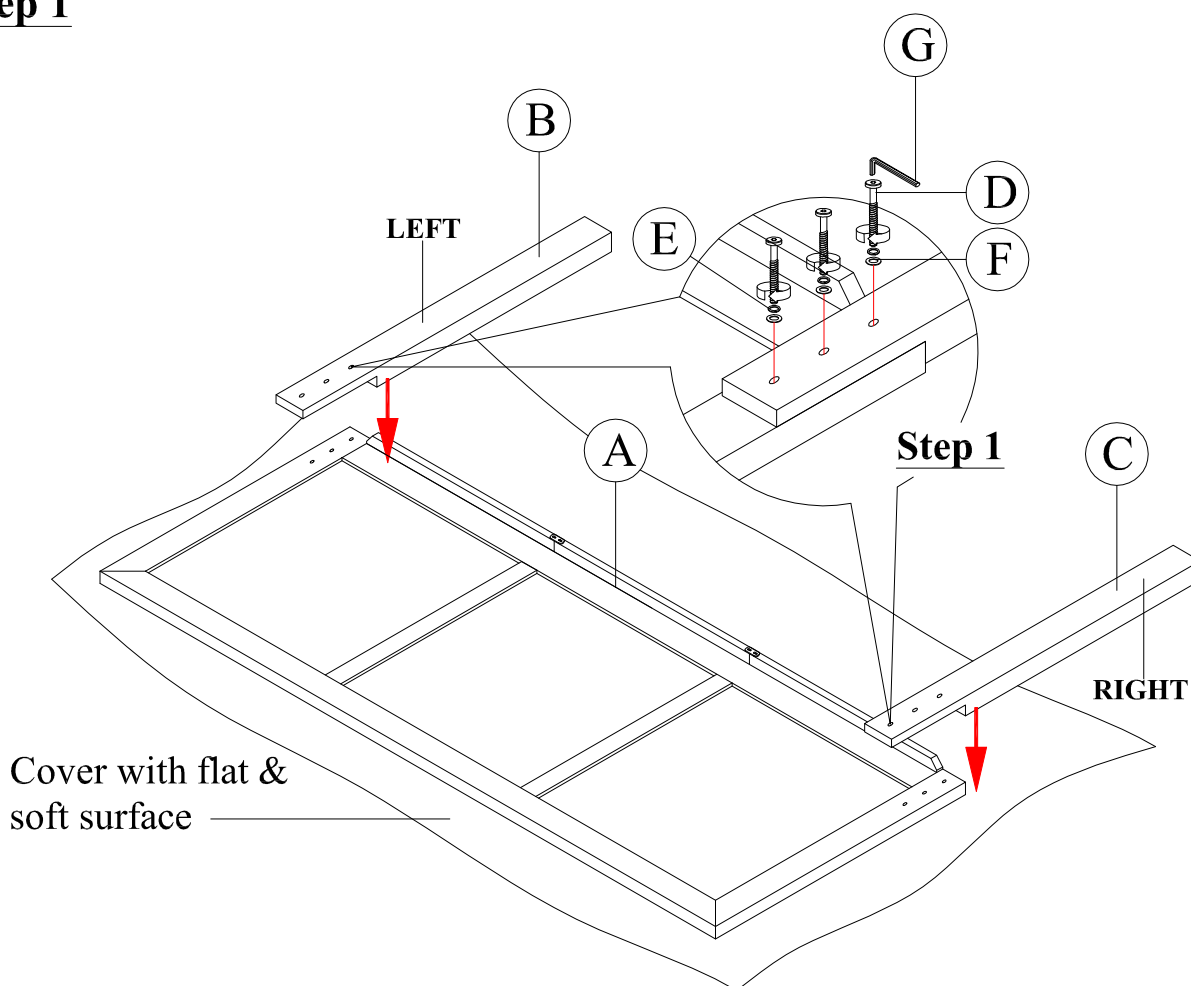
ITEM	DRAWING	DESCRIPTION	QTY
A		HEADBOARD PANEL	1
B		LEFT HEADBOARD LEG	1
C		RIGHT HEADBOARD LEG	1

ITEM	DRAWING	DESCRIPTION	QTY
D		JCBB SCREW (M8 x 40mm)	6
E		SPRING WASHER (M8 x 15mm)	6
F		FLAT WASHER (M8 x 22mm)	6
G		ALLEN KEY (M5)	1



COMPLETED EK KING BED ASSEMBLY

Step 1



NOTE : MUST TIGHTEN SCREWS PERIODICALLY. WITH USE SCREWS MAY BECOME LOOSE.
CHECK TIGHTNESS OF ALL SCREWS EVERY 6-8 WEEKS.


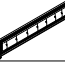


CLEANING INSTRUCTION

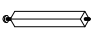

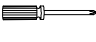
After assembled, clean & polish the completed parts if necessary with soft cloth and industrial recognized furniture polish

MADE IN MALAYSIA

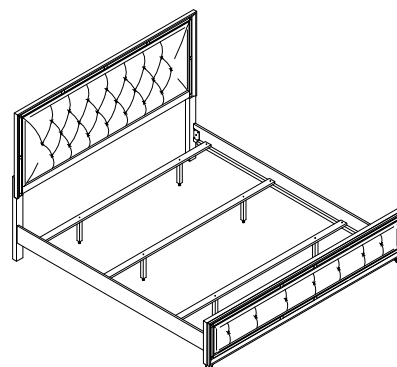
ASSEMBLY INSTRUCTION

MODEL NO: EK KING SIDE RAIL

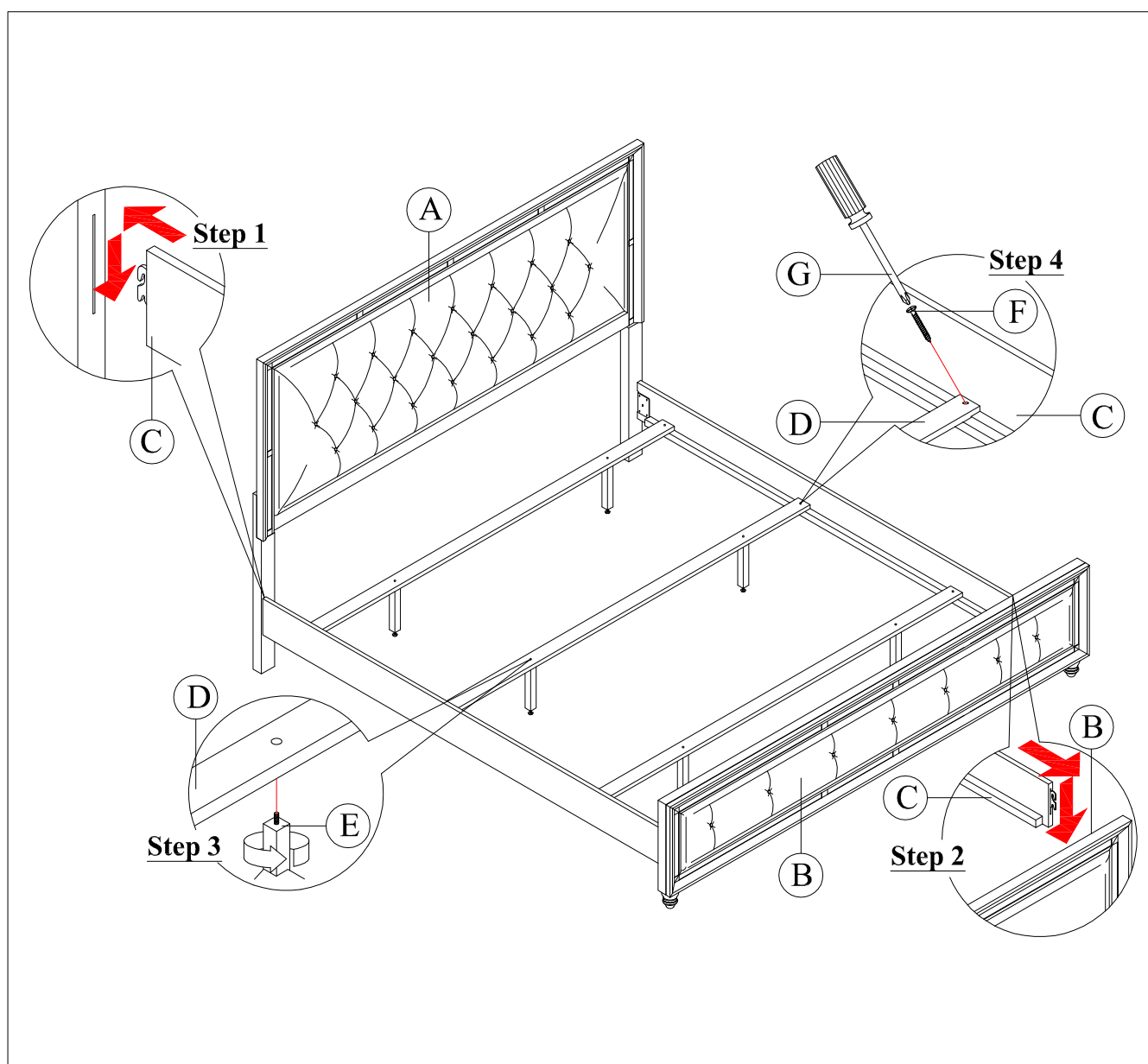
ITEM	DRAWING	DESCRIPTION	QTY
A		HEADBOARD	1
B		FOOTBOARD	1
C		SIDE RAIL	2
D		WOODEN SLAT	3

ITEM	DRAWING	DESCRIPTION	QTY
E		WOODEN SUPPORT	6
F		CB SCREW (M4 x 32mm)	6
G		SCREW DRIVER (*)	1

The manufacturer does not provide item G.



COMPLETED EK KING BED ASSEMBLY



NOTE : MUST TIGHTEN SCREWS PERIODICALLY. WITH USE SCREWS MAY BECOME LOOSE.
CHECK TIGHTNESS OF ALL SCREWS EVERY 6-8 WEEKS.

CLEANING INSTRUCTION

After assembled, clean & polish the completed parts if necessary with soft cloth and industrial recognized furniture polish

MADE IN MALAYSIA

1621 / 1623SV EK KING SR