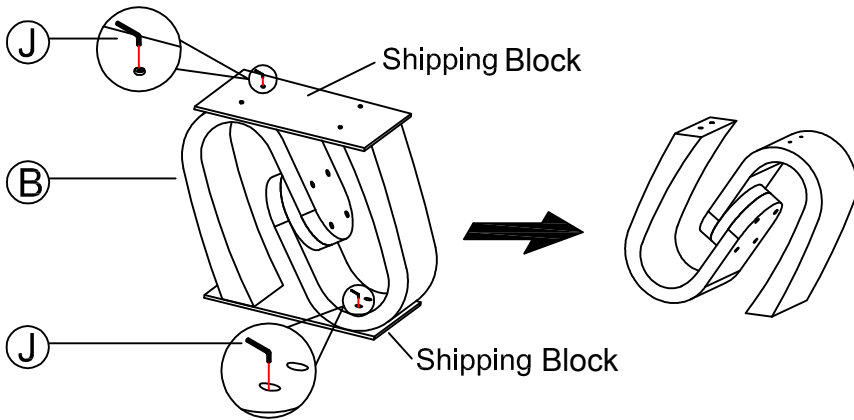


ASSEMBLY INSTRUCTION

Model:D4126DT

Description:DINING TABLE

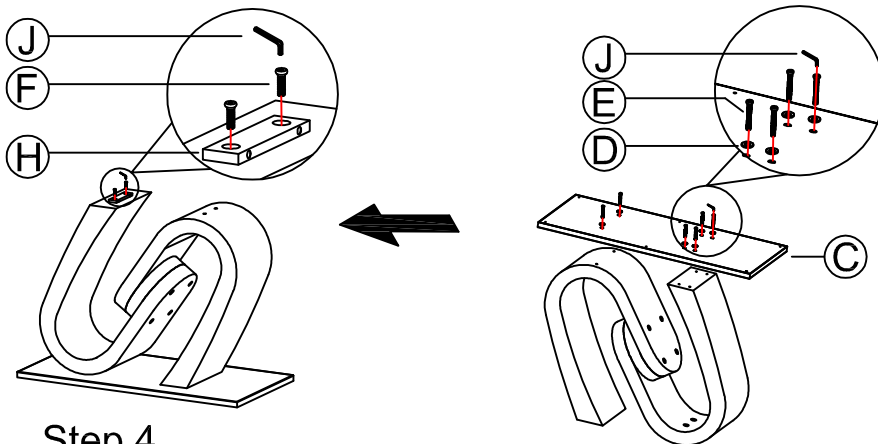
Thank you for purchasing this quality product space. Be sure to check all packing material carefully for small parts that may have come loose inside the carton during shipment.



Step 1

Remove the upper and lower shipping block from the pedestal

Step 2

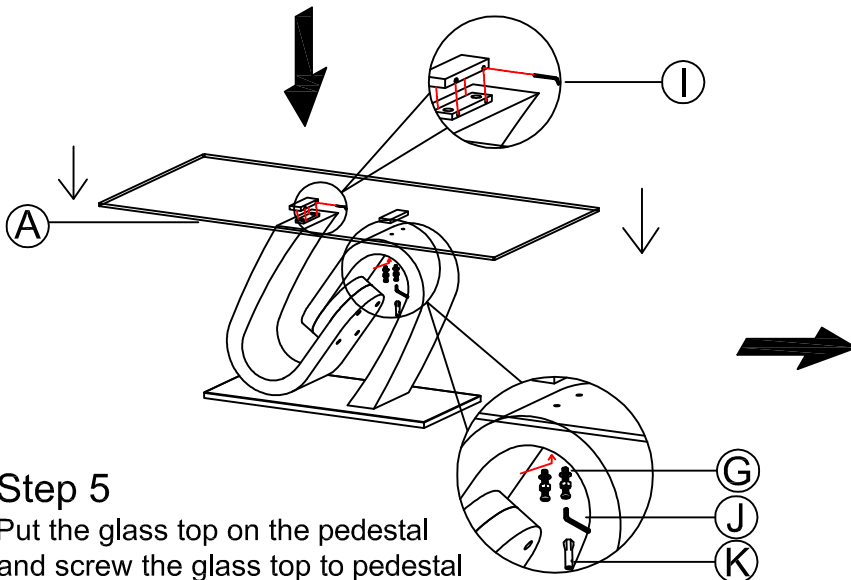


Step 4

Assembly the metal glass collector bracket to the pedestal

Step 3

Attach the bottom plate to the pedestal



Step 5

Put the glass top on the pedestal and screw the glass top to pedestal

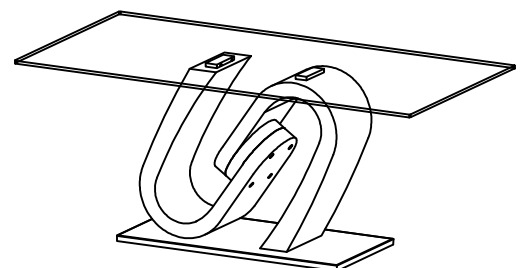
PART LIST:

NO.	Description	Diagram	Quantity
A	Table glass top		1
B	Table column		1
C	Table base		1

HARDWARE LIST:

NO.	Description	Diagram	Quantity
D	Flat washer $\phi 20 \times T2.0\text{mm}$		6
E	Bolt M8×45mm		6
F	Bolt M8×20mm		2
G	Bolt/Nut/Flat washer M8×65mm/M8/ $\phi 20 \times T2.0\text{mm}$		2
H	Metal 136×36×10mm		1
I	Allen key 3#		1
J	Allen key 5#		1
K	Socket wrench 14#		1

Finished



Made In China

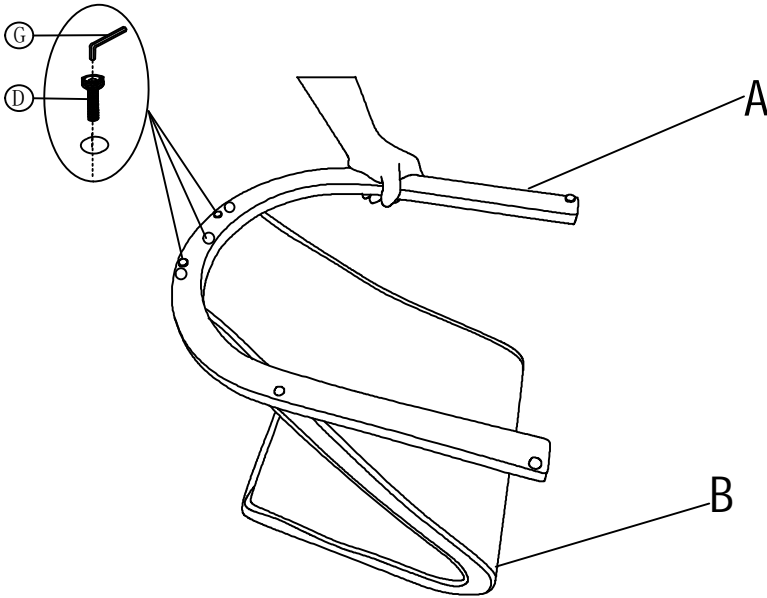
ASSEMBLY INSTRUCTION

Model :D4126DC/D4127DC

Description : Dining chair

Thank you for purchasing this quality product. Be sure to check all packing material carefully for small parts that may have come loose inside the carton during shipment

Step 1:



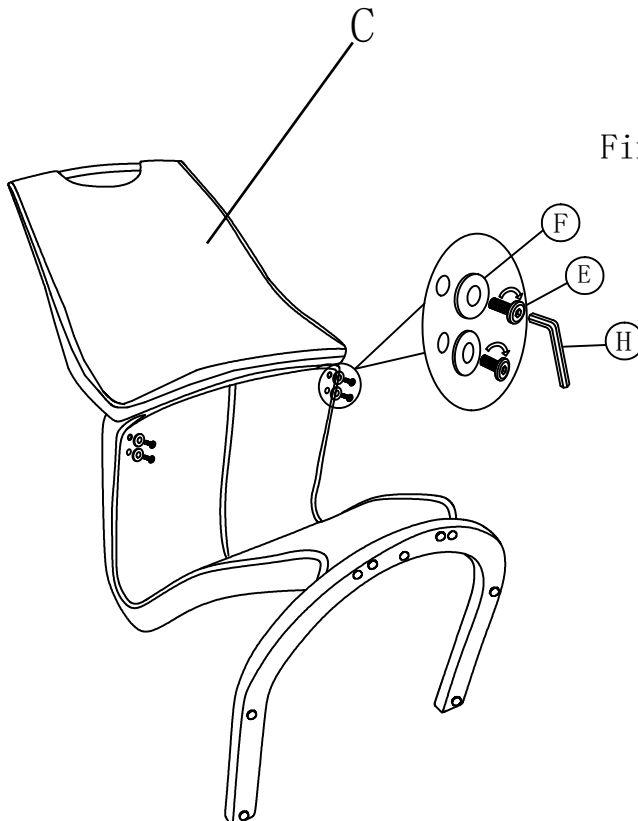
PART LIST :

No.	Description	Diagram	Quantity
A	Legs		1
B	Seat		1
C	Backrest		1

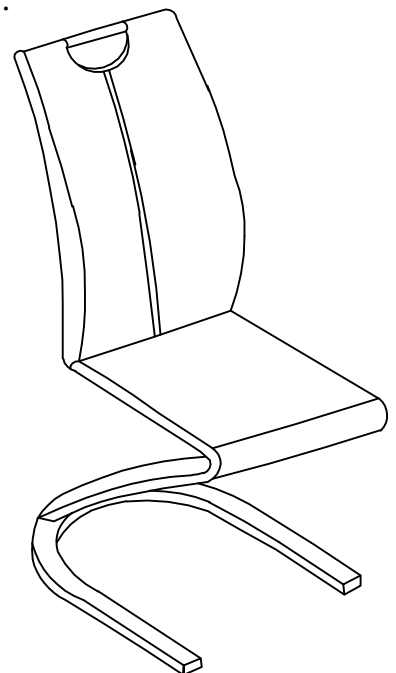
HARDWARE LIST :

No.	Description	Diagram	Size	Quantity
D	Bolt		M8*20	3
E	Bolt		M6*16	4
F	Flat washer		Ø6*Ø16	4
G	Allen key		M6	1
H	Allen key		M4	1

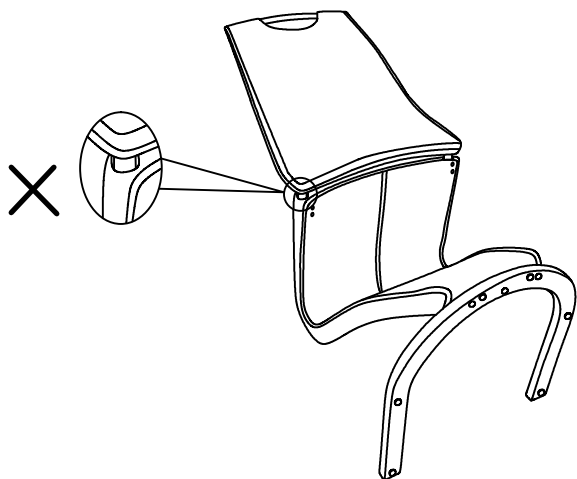
Step 2:



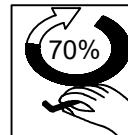
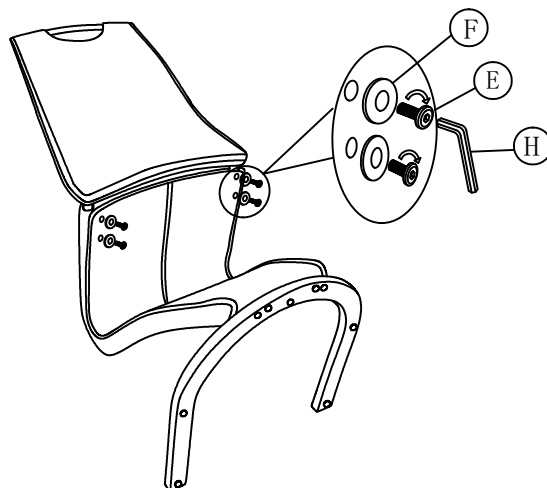
Finished:



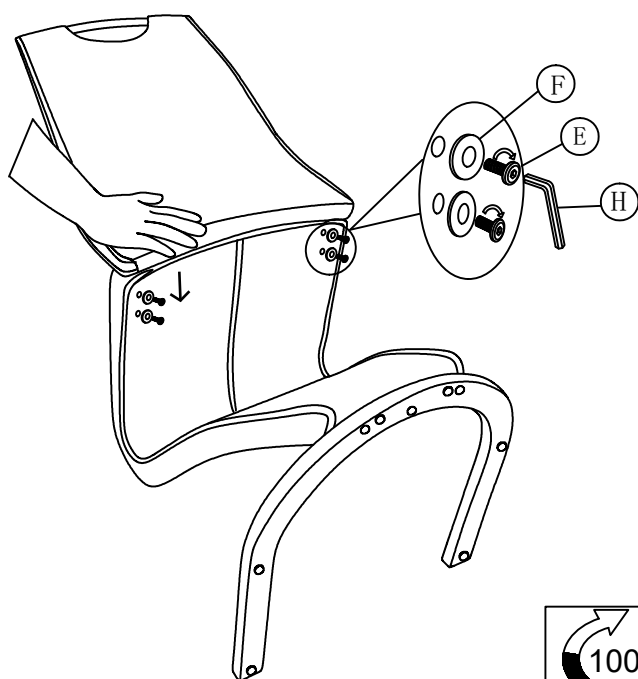
Poor Assembly Picture:



Step 2-a: Put the backrest (C) into the holes on the seat (B), press a little to make the screw holes on the backrest (C) align with the screw holes on the seat (B), lock these four holes with bolts (E). (Note: do not lock completely at this step)



Step 2-b: Press the backrest (C) harder to make the inner surface of the back close contact with the seat (B) and then 100% lock the four bolts (E). (Note: do not lock the screws when the back and cushion are at untight contact position like poor assembly picture)



Finished:

