






ASSEMBLY INSTRUCTIONS

MODEL : 0060C KING BED (4 + 8)


(Box 1)

BOX OF HEADBOARD & FOOTBOARD

No	ITEM	Qty
A	Headboard 	1 pc
B	Footboard 	1 pc
C	Headboard Leg (L/R) Nail Leg 	2 pcs
D	Bed Slat 	4 pcs
E	Bed Slat Support 	8 pcs






(Box 2)

BOX OF SIDE RAIL

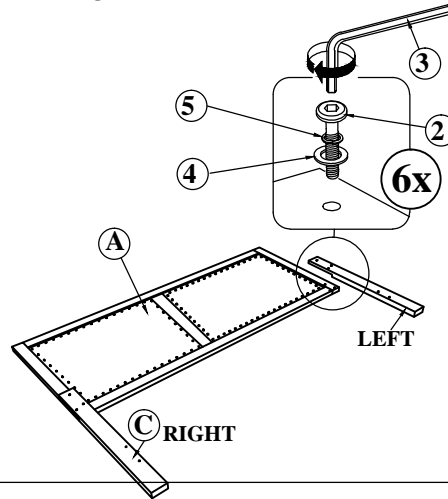
No	ITEM	Qty
F	Side Rail 	2 pcs

(Box 1)

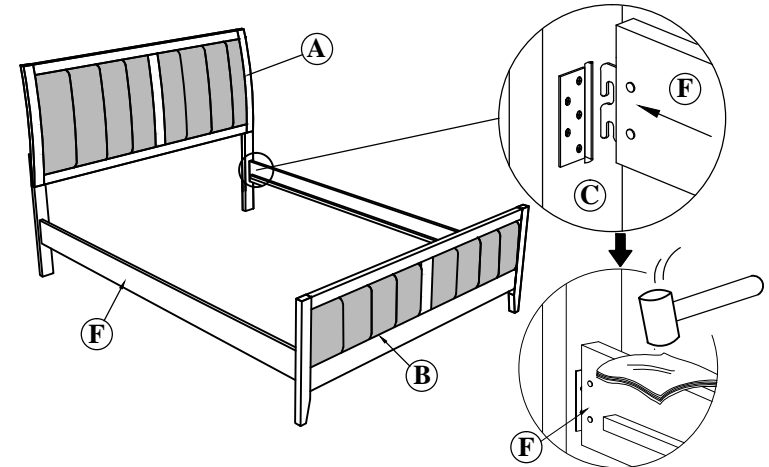
HARDWARE LIST

No	ITEM	Qty
1	Csk M4 x 32mm 	8 pcs
2	JCBC M6 x 35mm 	6 pcs
3	ALLEN KEY m4x65mm Blk 	1 pc
4	Flat Washer 1/4"ID x 13mmOD Blk 	6 pcs
5	SPRING WASHER M6 x 1/4 	6 pcs

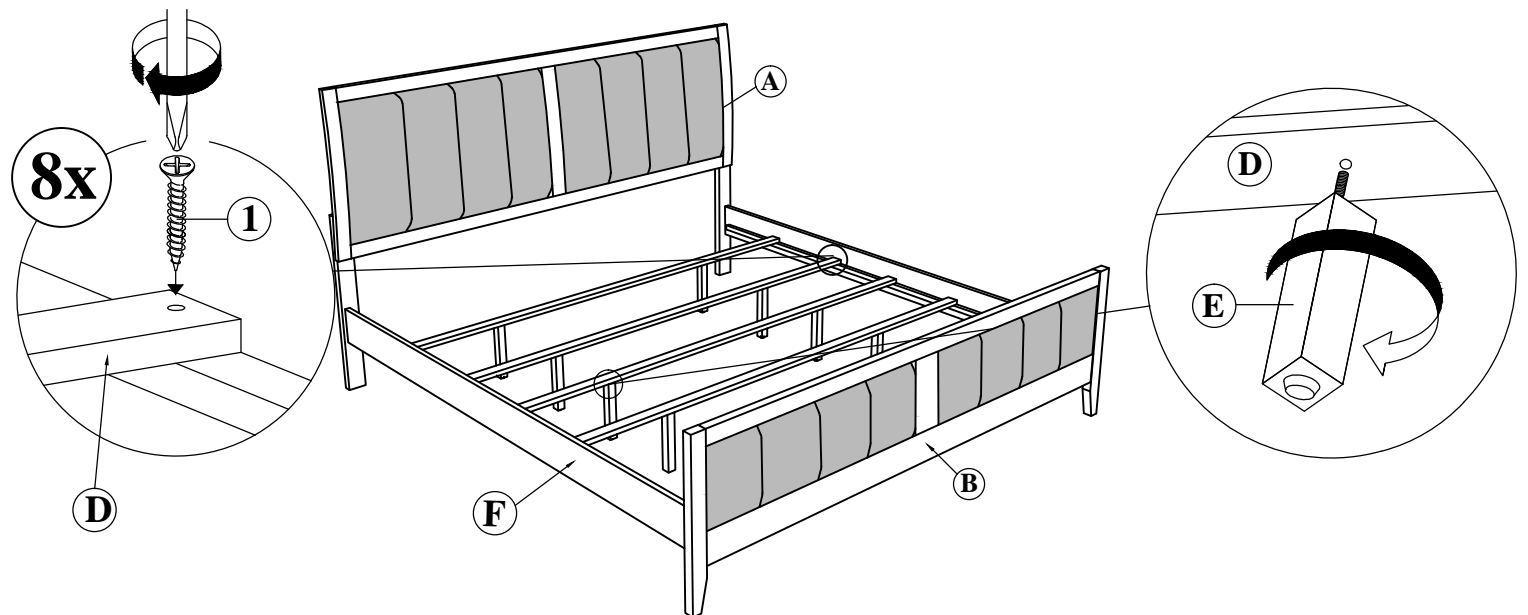
STEP 1 : Attach Head Board Leg (C) to Head Board (A) as shown using JCBC BOLT (2)with Spring Washer (5), Flat washer (4) and securing with ALLEN KEY (3).



STEP 2 : Hook SIDE RAIL (F) TO HEAD BOARD (A) closely and push down to fit. repeat step 2 with other end of rail to hook onto FOOTBOARD (B).



STEP 3 : Fix the Bed Slats Support (E) to Bed Slats (D) as Shown and fix the Bed Slats to Side Rail (F) by using CSK Screw (1). Loosen or Tighten the Adjuster as necessary to level the bed. Bed assembly should be done in final location to ensure stability.



NOTE : MUST TIGHTEN SCREWS PERIODCALLY WITH USE SCREW WILL BECOME LOOSE CHECK TIGHTNESS OF ALL SCREW EVERY 6-8 WEEKS.

ASSEMBLY INSTRUCTIONS

MODEL : 0060C
DRESSER & MIRROR

(Box 1)
BOX OF MIRROR

No	ITEM	Qty
A	MIRROR	1 pc

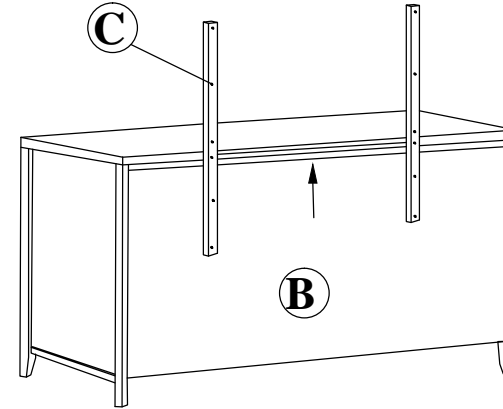
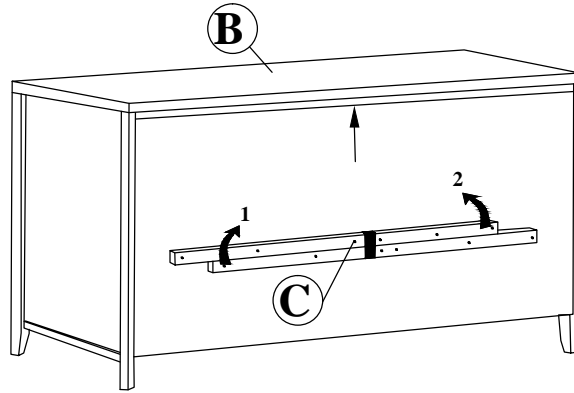
(Box 2)
BOX OF DRESSER

No	ITEM	Qty
B	DRESSER	1 pc
C	MIRROR SUPPORT	2 pcs

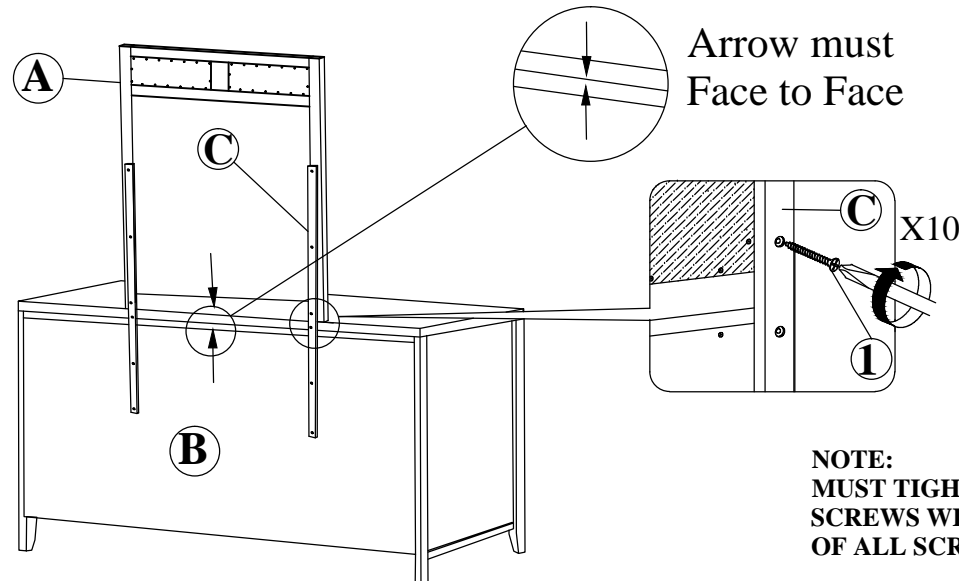
(Box 2)
HARDWARE LIST

No	ITEM	Qty
1	CSK SCREW M4 x 32MM	10 pcs

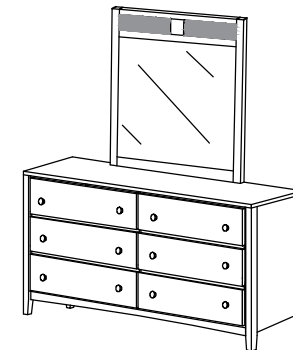
STEP 1 : Cut off the raffia string from the back of Dresser (B) and turn the Mirror Support (C) upward at the back of dresser (B),



STEP 2 : Place the Mirror (A) on the top of Dresser (B) as shown. And tighten with CSK Screw (1)



ASSEMBLY COMPLETE!!




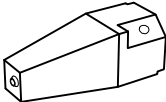
NOTE:
MUST TIGHTEN SCREWS PERIODICALLY WITH USE
SCREWS WILL BECOME LOOSE, CHECK TIGHTNESS
OF ALL SCREW EVERY 6-8 WEEKS.

NOTE : MUST TIGHTEN SCREWS PERIODICALLY WITH USE SCREW WILL BECOME LOOSE CHECK TIGHTNESS OF ALL SCREW EVERY 6-8 WEEKS.

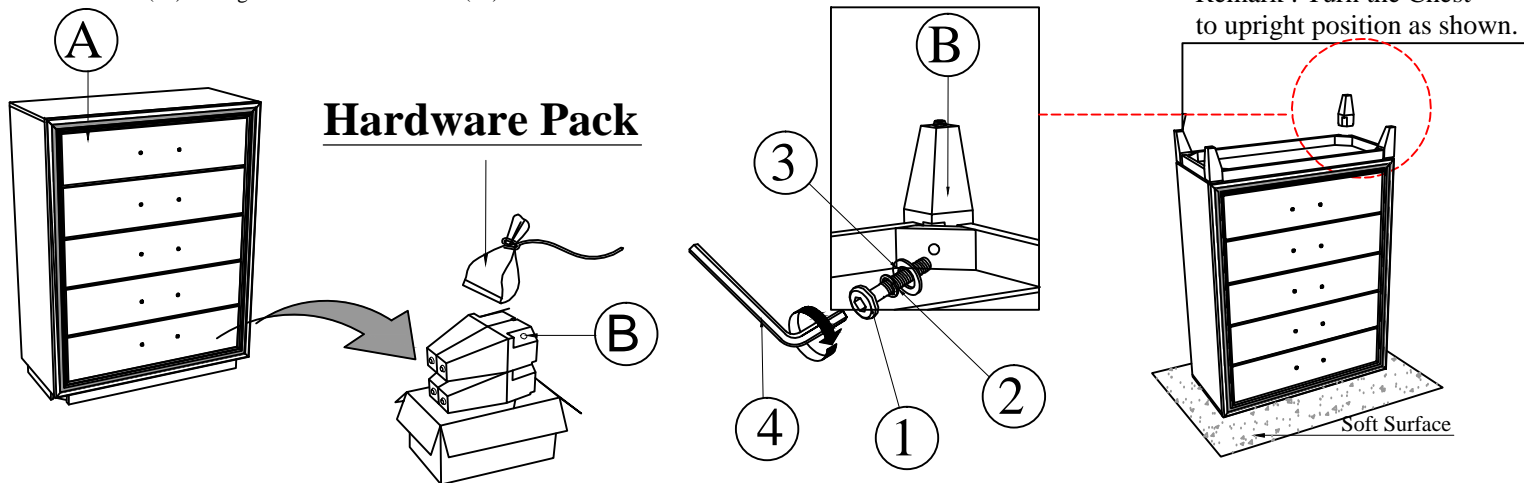
ASSEMBLY INSTRUCTIONS

**MODEL : 0295A
CHEST**




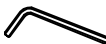
**(BOX 1)
BOX OF CHEST**

NO	ITEM	QTY
A	CHEST 	1 pc
B	BUN FOOT 	4 pcs

STEP 1 : Pull the drawer and take out the Bunfoot carton (B). Attach the Bunfoot (B) at the bottom Chest (A) used JCBC (1) with Spring Washer (2) Flat Washer (3) and tighten with Allen Wrench (4).



**(BOX 1)
HARDWARE LIST**

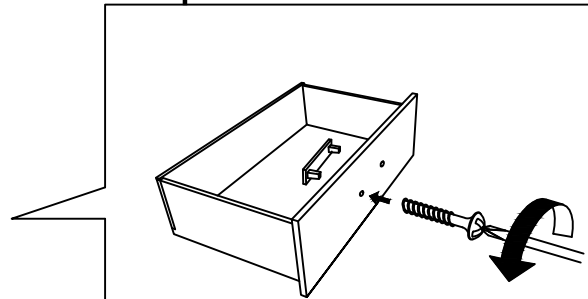
NO	ITEM	QTY
1	JCBC M6 x 50mm 	4 pcs
2	Spring Washer 1/4" Rbw 	4 pcs
3	Flat Washer 1/4" ID x 19mm OD Bk 	4 pcs
4	ALLEN KEY m4x65mm Bk 	1 pc

STEP 2 :

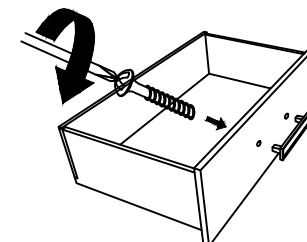


COMPLETED ASSEMBLY

Step 2.1



Step 2.2



NOTE : MUST TIGHTEN SCREWS **PERIODICALLY** WITH USE SCREW WILL BECOME LOOSE CHECK TIGHTNESS OF ALL SCREW EVERY 6-8 WEEKS.

ASSEMBLY INSTRUCTIONS

**MODEL : 0295A
DRESSER**

**(BOX 1)
BOX OF DRESSER**

NO	ITEM	QTY
A	DRESSER	1 pc
B	BUN FOOT	4 pcs
C	BOTTOM SUPPORT LEG	1 pc

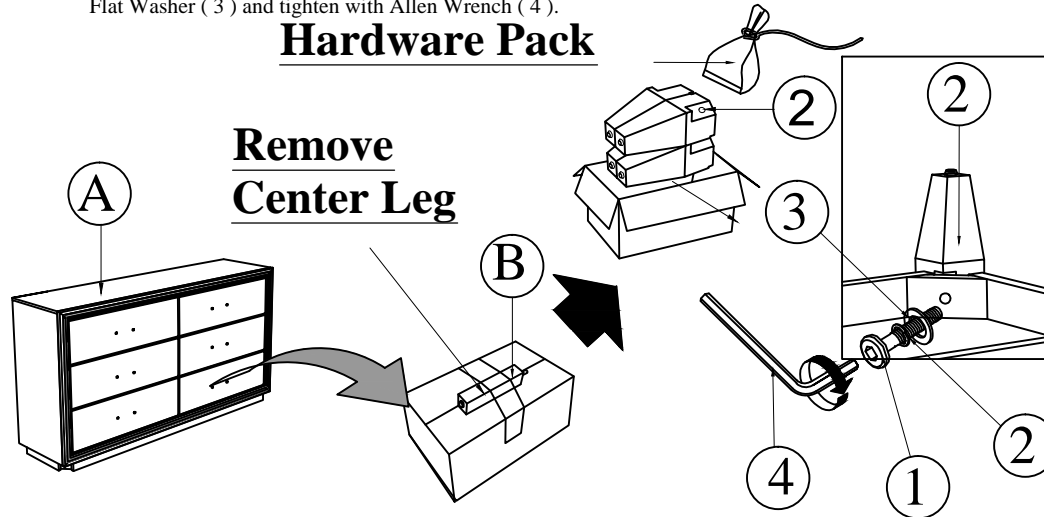
**(BOX 1)
HARDWARE LIST**

NO	ITEM	QTY
1	JCBC M6 x 50mm	4 pcs
2	Spring Washer 1/4" Rbw	4 pcs
3	Flat Washer 1/4"ID x 19mmOD Bk	4 pcs
4	ALLEN KEY m4x65mm Bk	1 pc

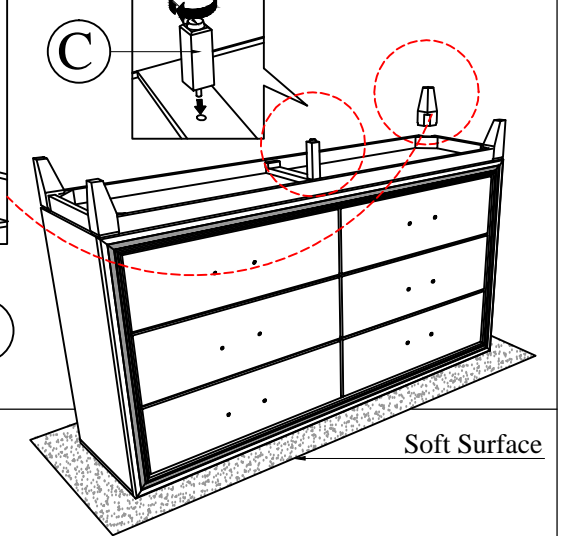
STEP 1 : Pull the drawer and take out the Bunfoot carton (B). Attach the Bunfoot (B) at the bottom Night Stand (A) used JCBC (1) with Spring Washer (2) Flat Washer (3) and tighten with Allen Wrench (4).

Hardware Pack

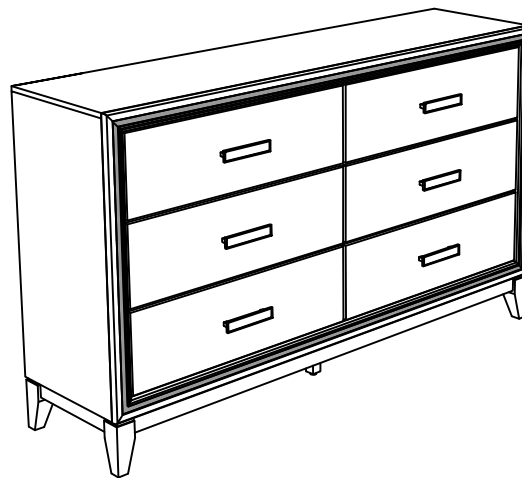
Remove Center Leg



Leveler Adjuster Remark : Turn the Dresser to upright position as shown.

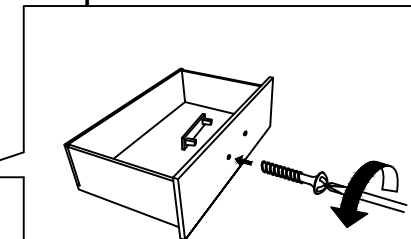


STEP 2 :

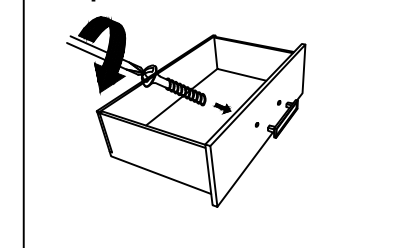


COMPLETED ASSEMBLY

Step 2.1



Step 2.2



NOTE : MUST TIGHTEN SCREWS PERIODICALLY WITH USE SCREW WILL BECOME LOOSE CHECK TIGHTNESS OF ALL SCREW EVERY 6-8 WEEKS.


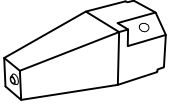
ASSEMBLY INSTRUCTIONS

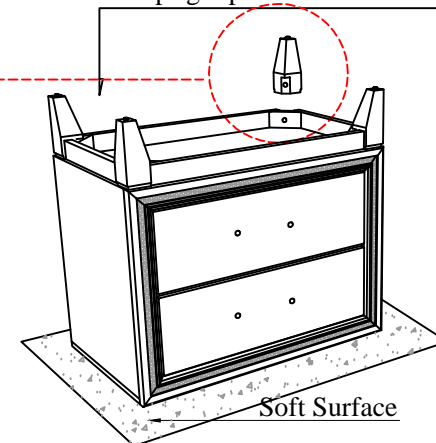
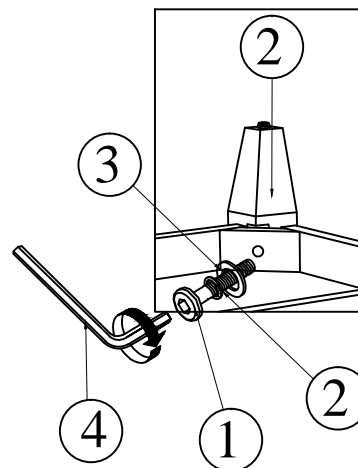
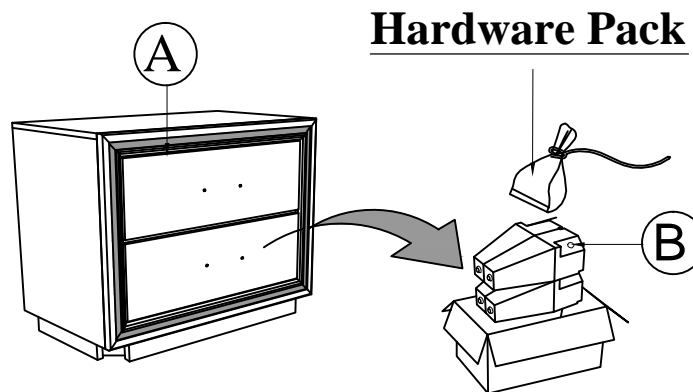
**MODEL : 0295A
NIGHT STAND**

STEP 1 : Pull the drawer and take out the Bunfoot carton (B). Attach the Bunfoot (B) at the bottom Night Stand (A) used JCBC (1) with Spring Washer (2) Flat Washer (3) and tighten with Allen Wrench (4).

Remark : Turn the Night Stand to upright position as shown.

**(BOX 1)
BOX OF NIGHT STAND**




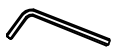
NO	ITEM	QTY
	NIGHT STAND	
A		1 pc
	BUN FOOT	
B		4 pcs

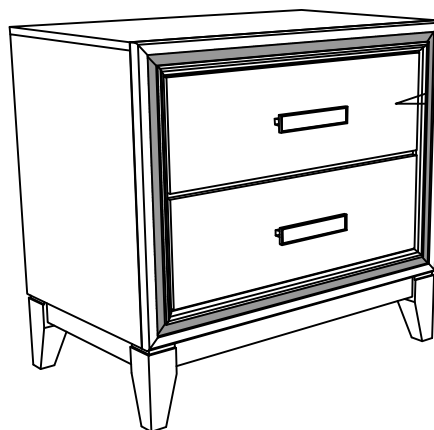


STEP 2 :

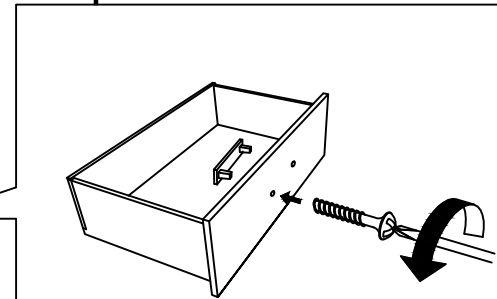
Step 2.1

**(BOX 1)
HARDWARE LIST**

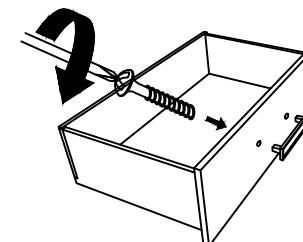
NO	ITEM	QTY
1	JCBC M6 x 50mm 	4 pcs
2	Spring Washer 1/4" Rbw 	4 pcs
3	Flat Washer 1/4" ID x 19mm OD Bk 	4 pcs
4	ALLEN KEY m4x65mm Bk 	1 pc



COMPLETED ASSEMBLY



Step 2.2



NOTE : MUST TIGHTEN SCREWS PERIODICALLY WITH USE SCREW WILL BECOME LOOSE CHECK TIGHTNESS OF ALL SCREW EVERY 6-8 WEEKS.