





# ASSEMBLY INSTRUCTION




DESCRIPTION : POWER CONSOLE RECLINING LOVESEAT WITH POWER HEADREST, ARM STORAGE, IMMERSE SPEAKER WITH ALL AROUND SOUND REACTIVE LED AND VIBRATION

MODEL: U1895-P2 CRLS

Thank you for purchasing this quality product. Be sure to check all packing material carefully for small parts that may have come loose inside the carton during shipment

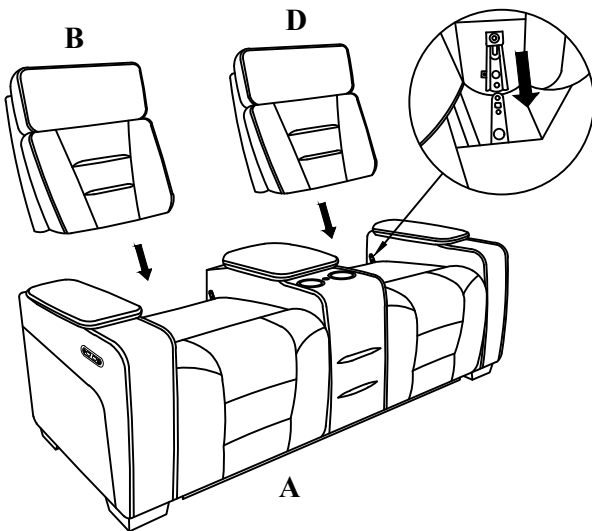
**Bluetooth Connection: Enable Bluetooth on your device and pair with [ eMoTion Sterling CY115 ] from the list of available devices.**

PARTS LIST:			
NO.	DESCRIPTION	SKETCH	Q'TY
A	Seat Body		1 PC
B	Left Backrest		1 PC
C	Console Backrest		1 PC
D	Right Backrest		1 PC

PARTS LIST:			
NO.	DESCRIPTION	SKETCH	Q'TY
E	Power source		1 PC
F	Power source		1 PC
G	Male bracket		2 PCS

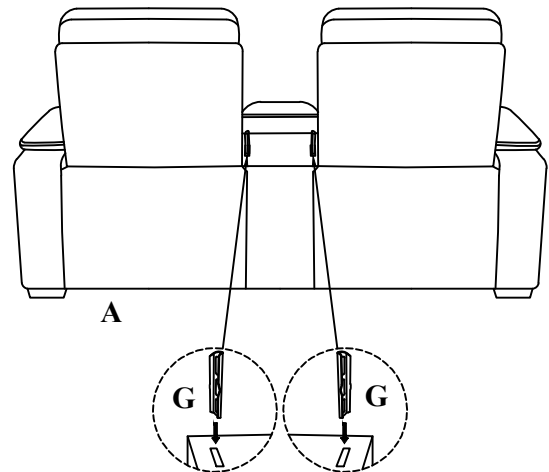
## Step 1:

Attach Backrest (B/D) to the Seat (A).

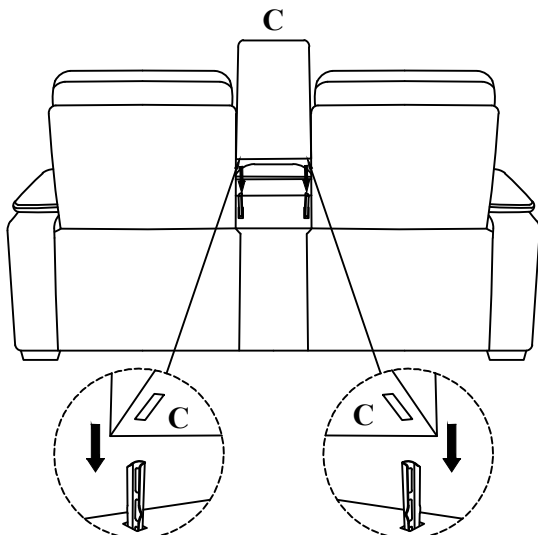


## Step 2:

Slide male bracket (G) into the bottom of seat (A).

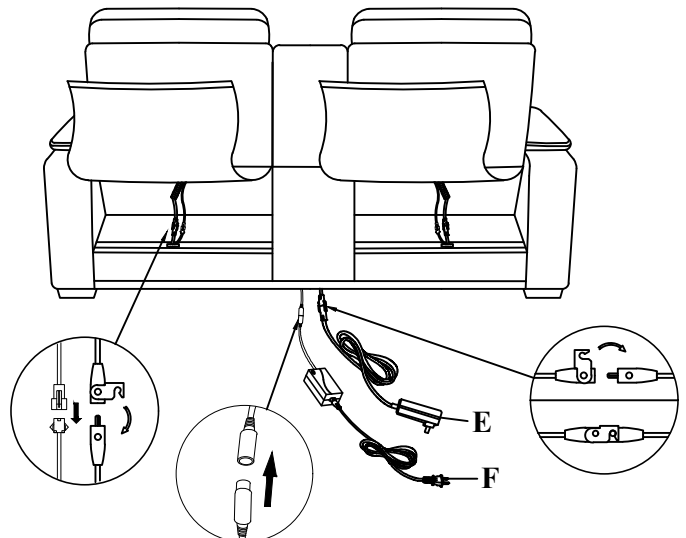


## Step 3:



## Step 4:

Connect the power wire under the Armrest frame to the Power source (E/F).



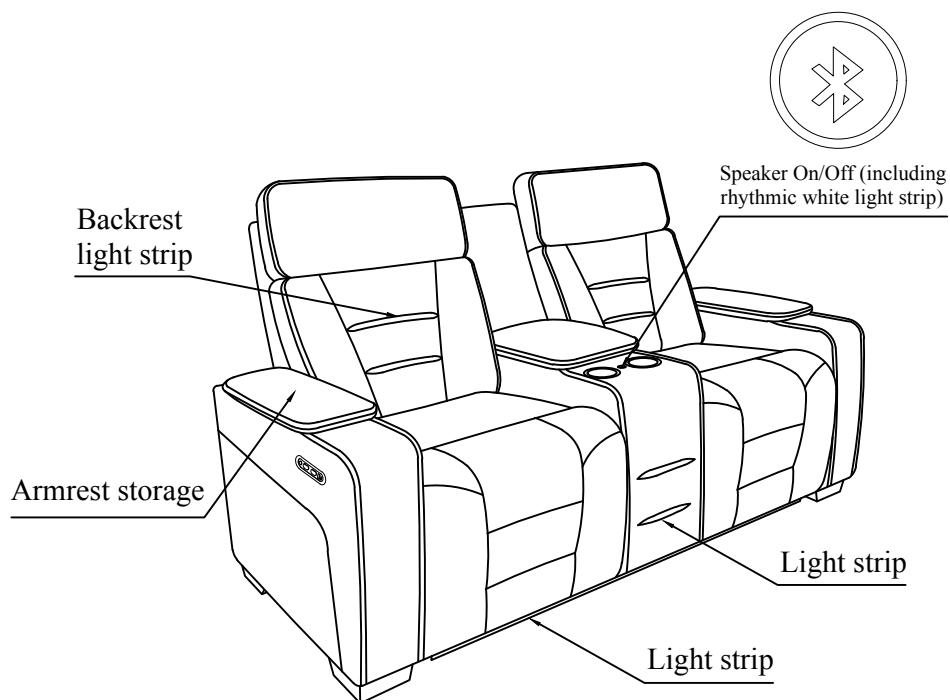
# ASSEMBLY INSTRUCTION

DESCRIPTION : POWER CONSOLE RECLINING LOVESEAT WITH POWER HEADREST, ARM STORAGE, IMMERSE SPEAKER WITH ALL AROUND SOUND REACTIVE LED AND VIBRATION

MODEL: U1895-P2 CRLS

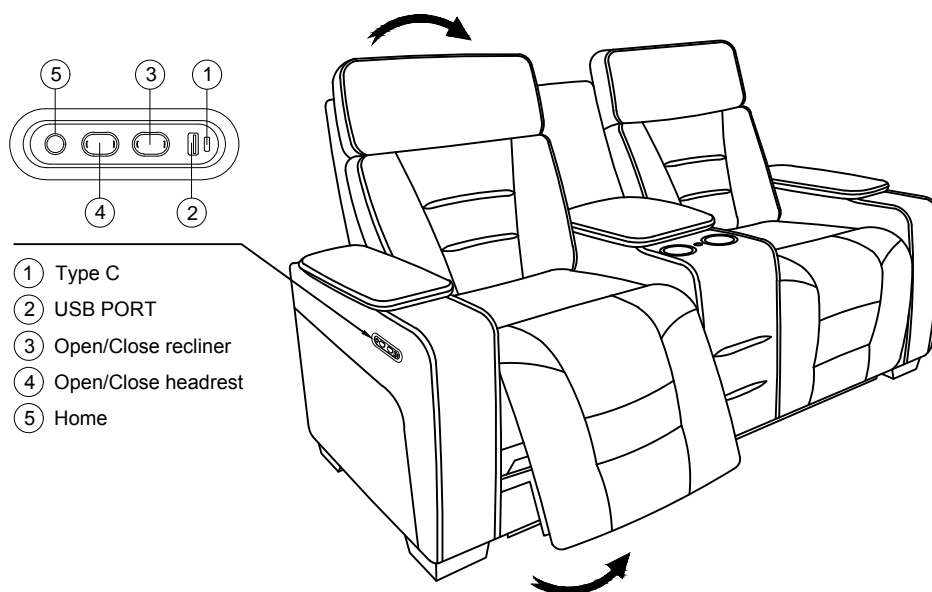
Thank you for purchasing this quality product. Be sure to check all packing material carefully for small parts that may have come loose inside the carton during shipment

## Step 5:



## Step 6:

Open the footrest by pressing the power button on/off.






# ASSEMBLY INSTRUCTION



DESCRIPTION : POWER RECLINING SOFA WITH POWER HEADREST, ARM STORAGE, IMMERSE SPEAKER WITH ALL AROUND SOUND REACTIVE LED AND VIBRATION

MODEL: U1895-P2 RS

Thank you for purchasing this quality product. Be sure to check all packing material carefully for small parts that may have come loose inside the carton during shipment

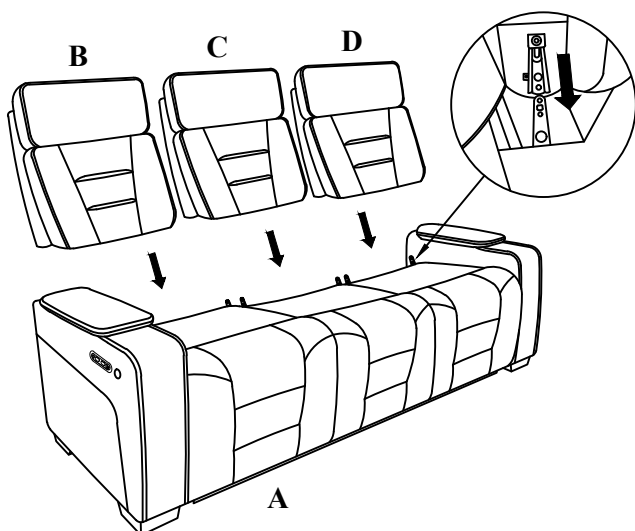
**Bluetooth Connection: Enable Bluetooth on your device and pair with [ eMoTion Sterling CY115 ] from the list of available devices.**

PARTS LIST:			
NO.	DESCRIPTION	SKETCH	Q'TY
A	Seat Body		1 PC
B	Left Backrest		1 PC
C	Middle Backrest		1 PC

PARTS LIST:			
NO.	DESCRIPTION	SKETCH	Q'TY
D	Right Backrest		1 PC
E	Power source		2 PCS

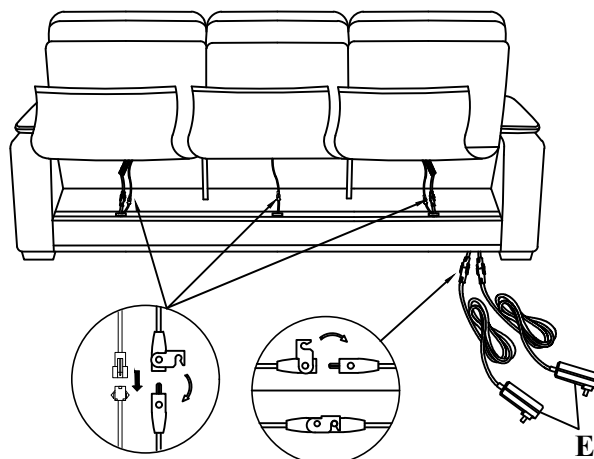
## Step 1:

Attach Backrest (B/C/D) to the Seat (A).

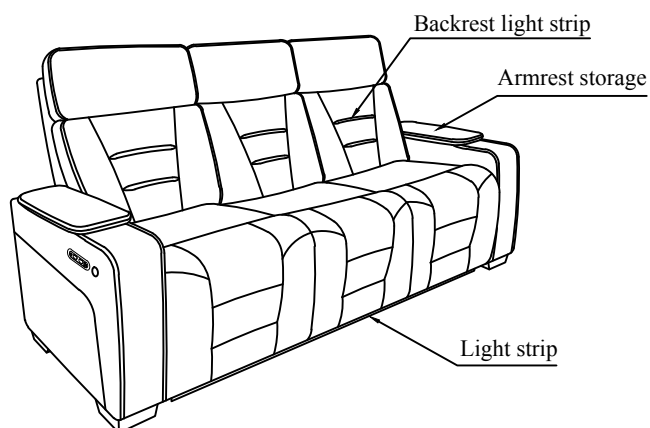


## Step 2:

Connect the power wire under the Armrest frame to the Power source (E).

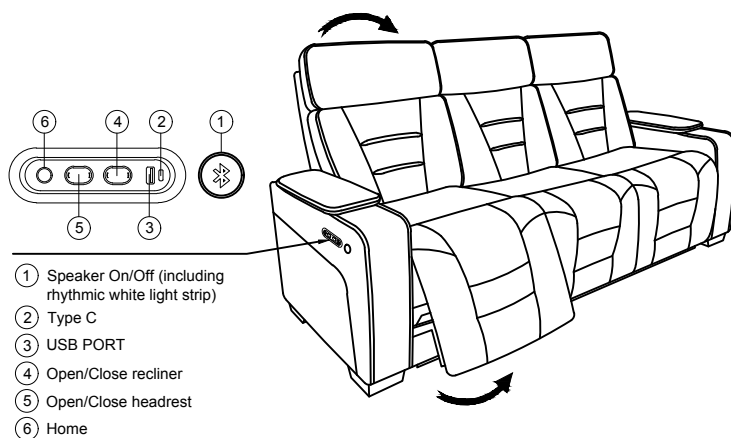


## Step 3:



## Step 4:

Open the Footrest by pressing the power button on/off.



- ① Speaker On/Off (including rhythmic white light strip)
- ② Type C
- ③ USB PORT
- ④ Open/Close recliner
- ⑤ Open/Close headrest
- ⑥ Home