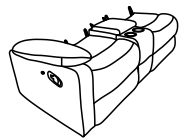
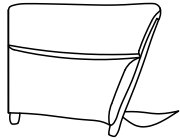
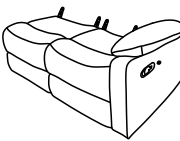

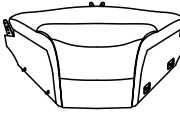

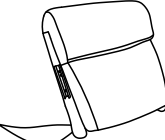

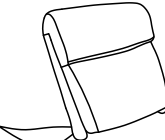
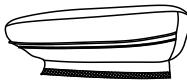
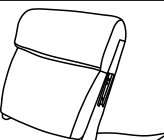

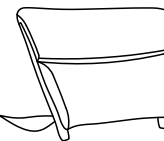



# ASSEMBLY INSTRUCTIONS

Model: U6026

Description: Left Facing Console and Led , Right Facing and Led & Wedge.

**Thank you for purchasing this quality product. Be sure to check all packing material carefully for small parts that may have come loose inside the carton during shipment**

| PARTS LIST |                  |   |       | PARTS LIST |                   |   |       |
|------------|------------------|---|-------|------------|-------------------|---|-------|
| NO.        | DESCRIPTION      | SKETCH  | QTY   | NO.        | DESCRIPTION       | SKETCH  | QTY   |
| A          | LEFT SEAT        |    | 1 PC  | H          | CORNER BACK REST  |    | 1 PC  |
| B          | RIGHT SEAT       |    | 1 PC  | I          | CONSOLE BACK REST |    | 1 PCS |
| C          | CORNER SEAT      |   | 1 PC  | K          | LEFT EAR          |   | 1 PC  |
| D          | LEFT BACK REST   |  | 1 PC  | L          | RIGHT EAR         |  | 1 PC  |
| E          | BACK REST        |  | 2 PCS | M          | LEFT ARM PILLOW   |  | 1 PC  |
| F          | RIGHT BACK REST  |  | 1 PC  | N          | RIGHT ARM PILLOW  |  | 1 PC  |
| G          | CORNER BACK REST |  | 1 PC  |            |                   |   |       |

| HARDWARE LIST |             |   |       |
|---------------|-------------|---|-------|
| NO.           | DESCRIPTION | SKETCH  | QTY   |
| Q             | ADAPTER     |  | 2 PCS |

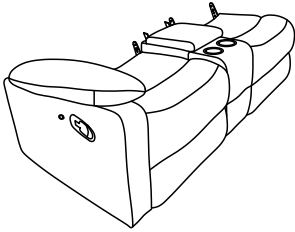
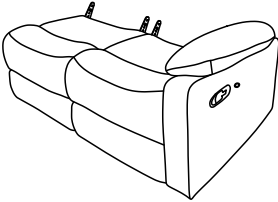
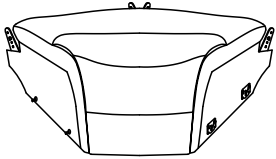
# ASSEMBLY INSTRUCTIONS

Model: U6026

Description: Left Facing Console and Led , Right Facing and Led & Wedge.

**Thank you for purchasing this quality product. Be sure to check all packing material carefully for small parts that may have come loose inside the carton during shipment**

## U6026 IS PACKED IN 3 CASES

| CARTON                                | DISIGNATION                            | PART   | HARDWARE   |
|---------------------------------------|--|--|--|
| <b>U6026 - LSF +<br/>CONSOL + LED</b> | <b>LEFT FACING<br/>CONSOLE AND LED</b> |    | <b>D x 1PC</b><br><b>E x 1PC</b><br><b>I x 1PC</b><br><b>M x 1PC</b><br><b>K x 1PC</b><br><b>Q x 1PC</b> |
| <b>U6026-RSF + LED</b>                | <b>RIGHT FACING<br/>AND LED</b>        |   | <b>E x 1PC</b><br><b>F x 1PC</b><br><b>N x 1PC</b><br><b>L x 1PC</b><br><b>Q x 1PC</b>                   |
| <b>U6026 - WEDGE</b>                  | <b>WEDGE</b>                           |  | <b>G x 1PC</b><br><b>H x 1PC</b>   |

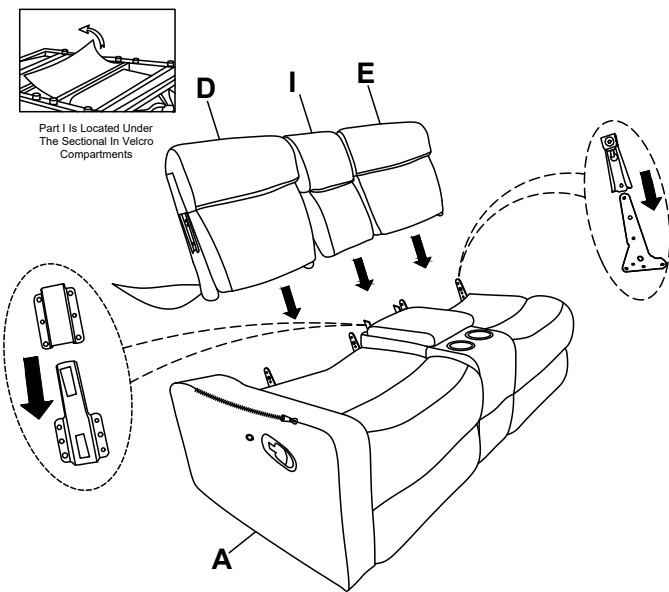
# ASSEMBLY INSTRUCTIONS

Model: U6026

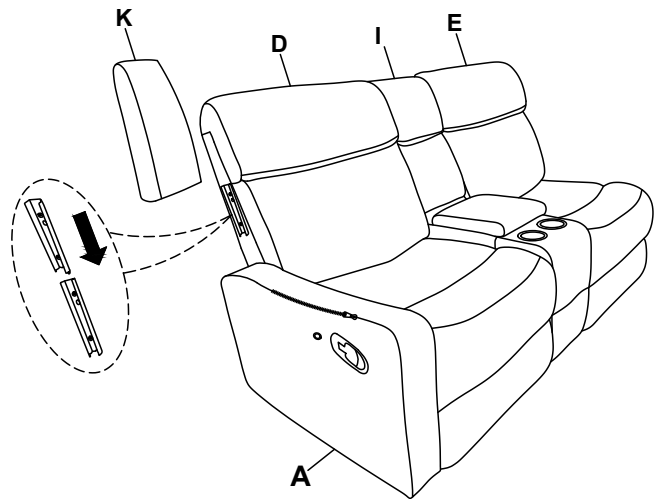
Description: Left Facing Console and Led , Right Facing and Led & Wedge.

Thank you for purchasing this quality product. Be sure to check all packing material carefully for small parts that may have come loose inside the carton during shipment

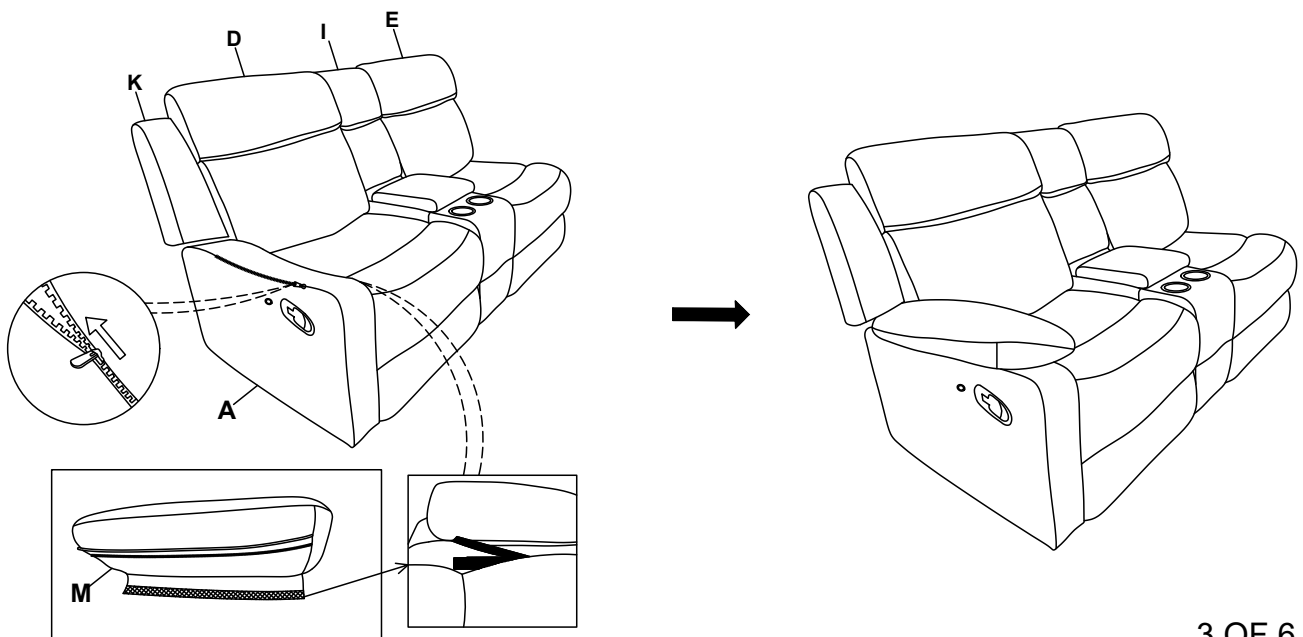
**Step 1:** Attach left back rest (D) console back rest (I) & back rest (E) to left seat (A) as shown below digarm .



**Step 2:** Attach left ear (K) to left back rest (D) as shown below diagram .



**Step 3:** Use left arm pillow (M) to connect with left arm by zipper as shown below digram .



3 OF 6

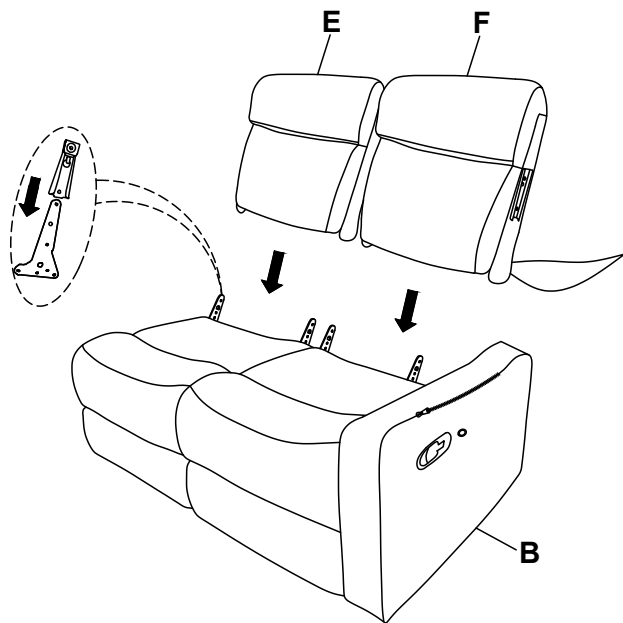
Made in Vietnam

# ASSEMBLY INSTRUCTIONS

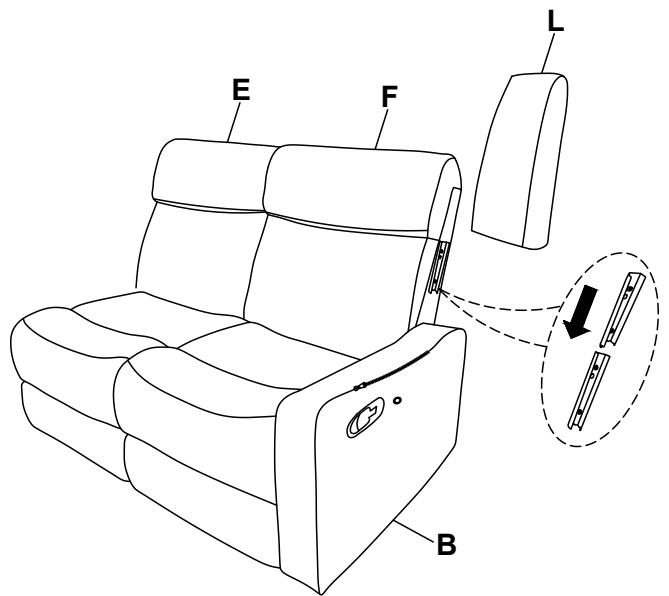
Model: U6026 Description: Left Facing Console and Led , Right Facing and Led & Wedge.

Thank you for purchasing this quality product. Be sure to check all packing material carefully for small parts that may have come loose inside the carton during shipment

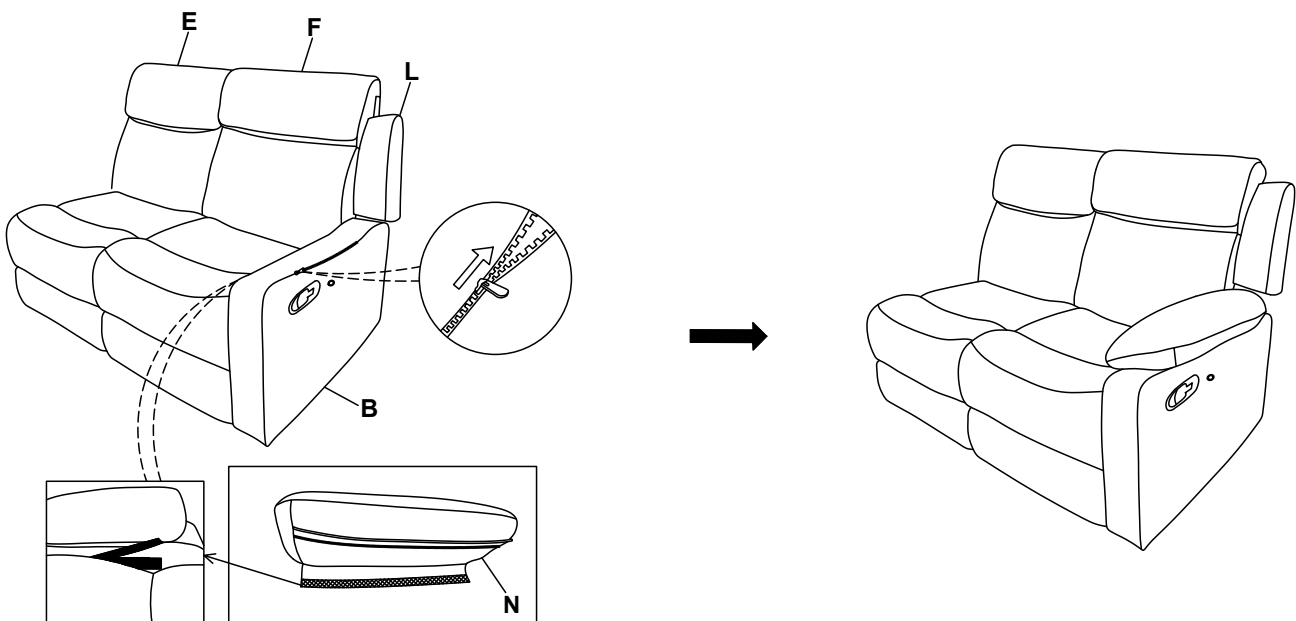
**Step 4:** Attach back rest (E) right back rest (F) to right seat (B) as shown below diagram .



**Step 5:** Attach right ear (L) to right back rest (F) as shown below diagram .



**Step 6:** Use the right arm pillow (N) to connect with right arm by zipper as shown below diagram



4 OF 6

Made in Vietnam

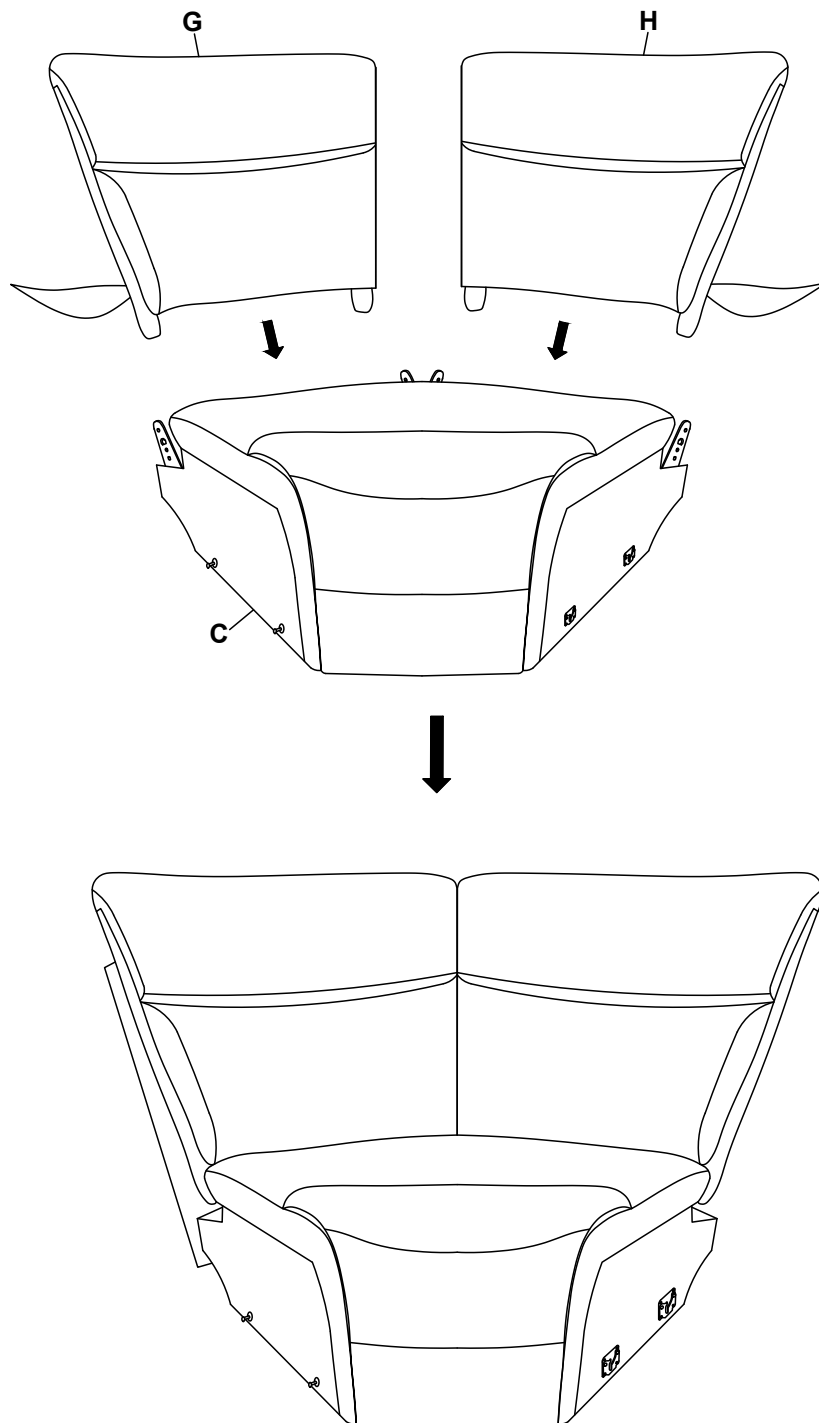
# ASSEMBLY INSTRUCTIONS

Model: U6026

Description: Left Facing Console and Led , Right Facing and Led & Wedge.

Thank you for purchasing this quality product. Be sure to check all packing material carefully for small parts that may have come loose inside the carton during shipment

Step 7: Attach corner back rest (G) (H) to corner seat ( C) as shown below diagram .



5 OF 6

Made in Vietnam

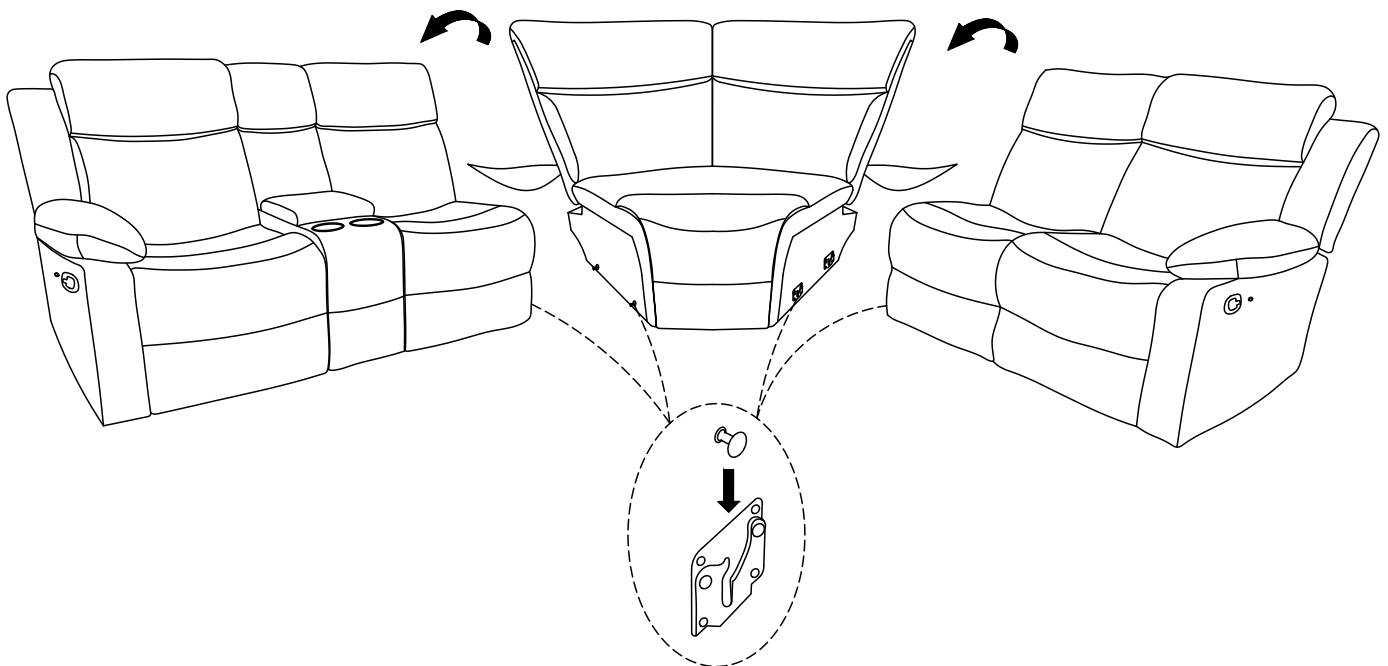
# ASSEMBLY INSTRUCTIONS

Model: U6026

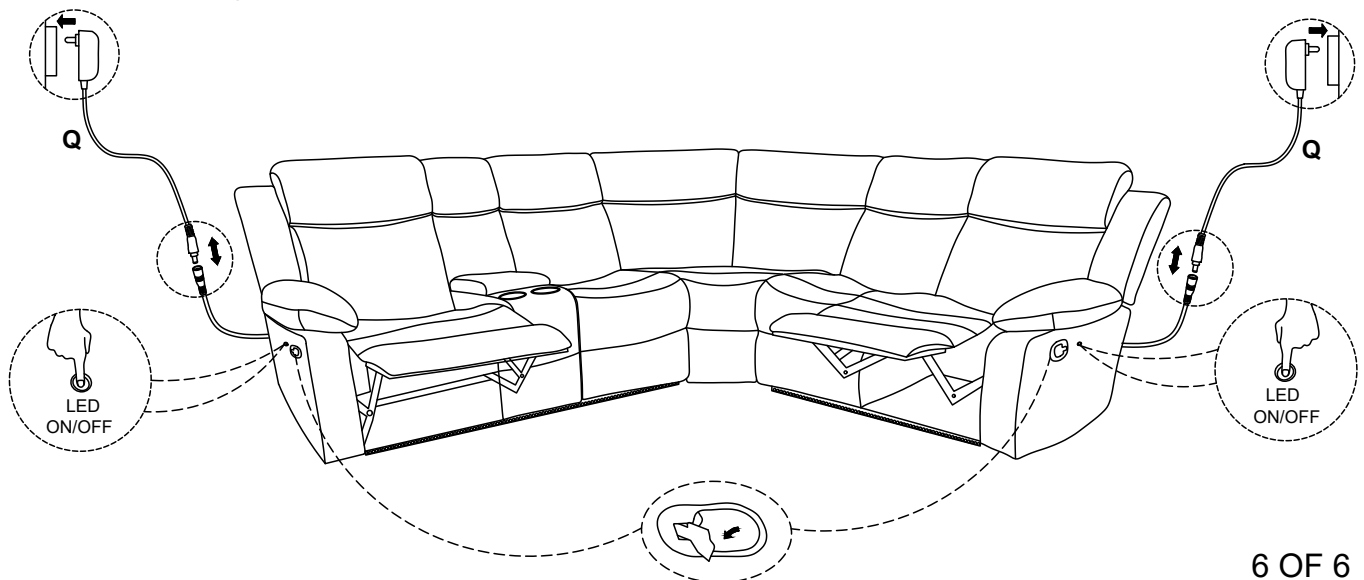
Description: Left Facing Console and Led , Right Facing and Led & Wedge.

Thank you for purchasing this quality product. Be sure to check all packing material carefully for small parts that may have come loose inside the carton during shipment

**Step 8:** Connect the left facing console , wedge & right facing together as shown below diagram.



**Step 9 :** Use adapter to connect with power then press the button on/off to open the footrest as shown below diagram .



6 OF 6

Made in Vietnam