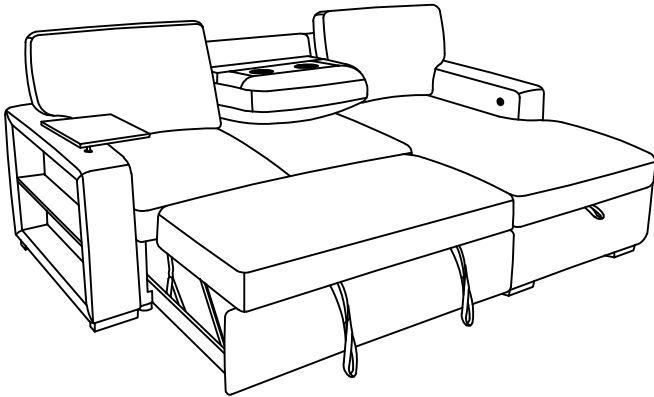


ASSEMBLY INSTRUCTION

MODEL: U0212-BLANCHE SIL-REV LS - REVERSIBLE
U0212-BLANCHE SIL-REV CHS - REVERSIBLE

DESCRIPTION : SOFA BED LOVESEAT WITH POP-UP SLEEPER WITH DROP DOWN TABLE
SOFA BED CHAISE WITH STORAGE

Thank you for purchasing this quality product. Be sure to check all packing material carefully for small parts that may have come loose inside the carton during shipment



SOFA BED PART LIST :

NO.	DESCRIPTION	SKETCH	Q'TY
A	LSF Arm		1 PC
B	RSF Arm		1 PC
C	Pop-up sleeper seat		1 PC
D	Backrest		1 PC
E	Left Back cushion		1 PC
F	Middle Backrest sleeper		1 PC
G	Round leg		4 PCS
H	Rotating wheel		4 PCS
I	Male bracket		4 PCS
J	Table tray		1 PC

CHAISE PART LIST :

NO.	DESCRIPTION	SKETCH	Q'TY
K	Chaise seat		1 PC
L	Backrest		1 PC
M	Chaise back cushion		1 PC
N	Rectangle leg		2 PCS
G	Round leg		2 PCS
I	Male bracket		2 PCS

HARDWARE LIST :

NO.	DESCRIPTION	SKETCH			Q'TY
P	Screw		LS	Ø8*45mm	4 PCS
Q	Screw		LS	Ø8*25mm	16 PCS
P	Screw		CH	Ø8*45mm	6 PCS

ASSEMBLY INSTRUCTION

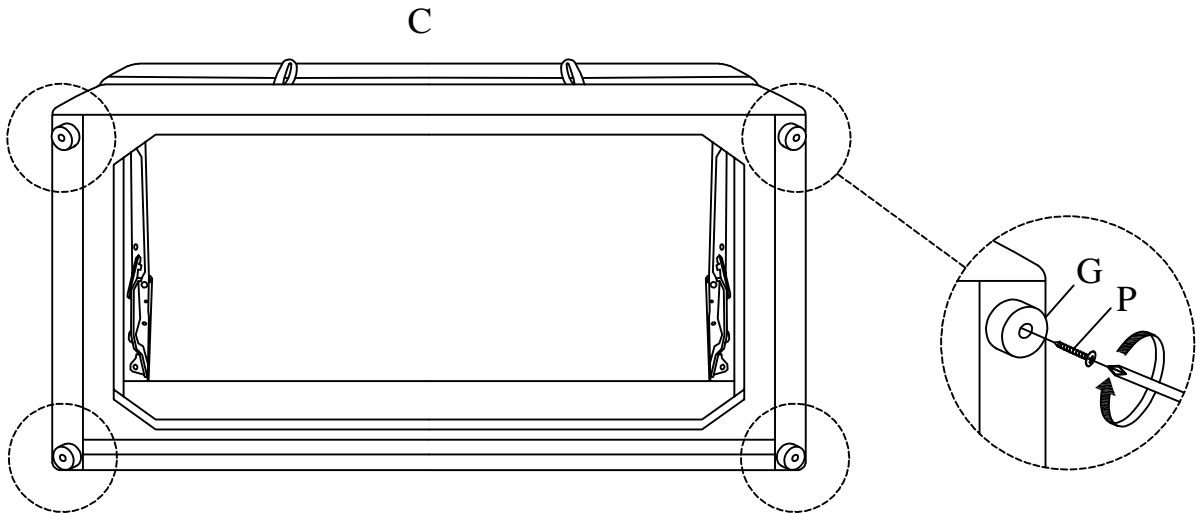
MODEL: U0212-BLANCHE SIL-REV LS - REVERSIBLE
U0212-BLANCHE SIL-REV CHS - REVERSIBLE

DESCRIPTION : SOFA BED LOVESEAT WITH POP-UP SLEEPER WITH DROP DOWN TABLE
SOFA BED CHAISE WITH STORAGE

Thank you for purchasing this quality product. Be sure to check all packing material carefully for small parts that may have come loose inside the carton during shipment

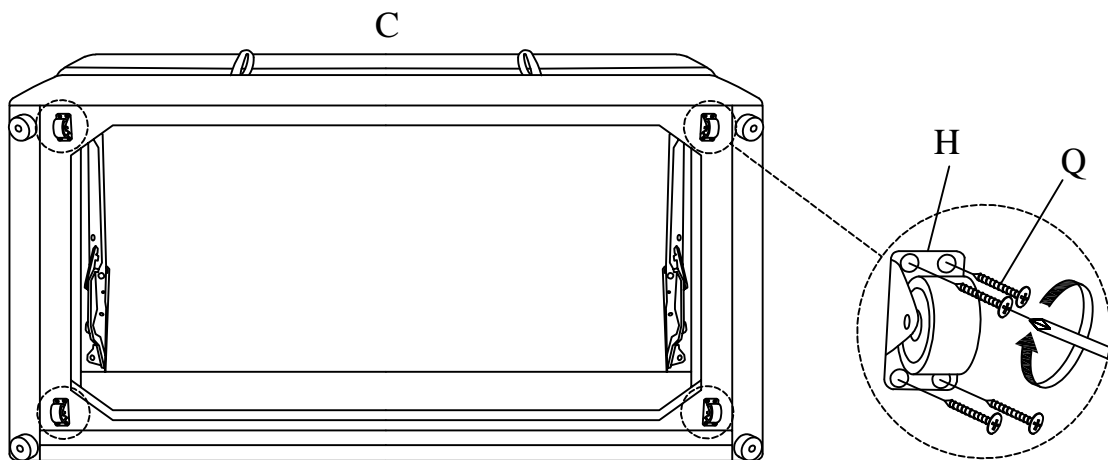
Step 1:

Screw up the round leg (G) into pop-up sleeper seat (C)



Step 2:

Screw up the rotating wheel (H) into pop-up sleeper seat (C)



ASSEMBLY INSTRUCTION

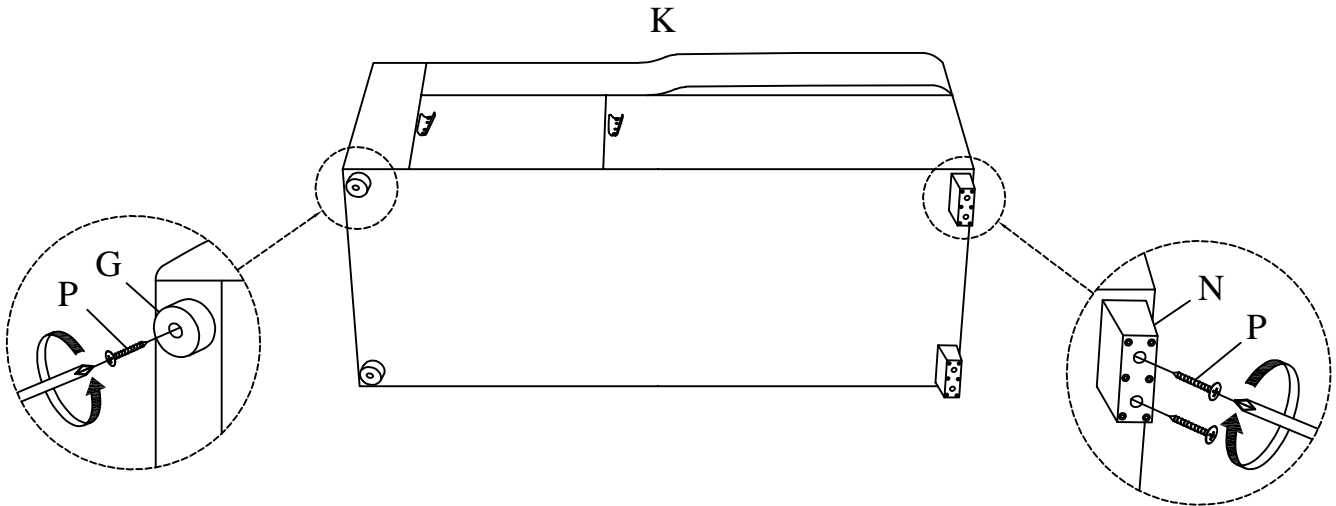
MODEL: U0212-BLANCHE SIL-REV LS - REVERSIBLE
U0212-BLANCHE SIL-REV CHS - REVERSIBLE

DESCRIPTION : SOFA BED LOVESEAT WITH POP-UP SLEEPER WITH DROP DOWN TABLE
SOFA BED CHAISE WITH STORAGE

Thank you for purchasing this quality product. Be sure to check all packing material carefully for small parts that may have come loose inside the carton during shipment

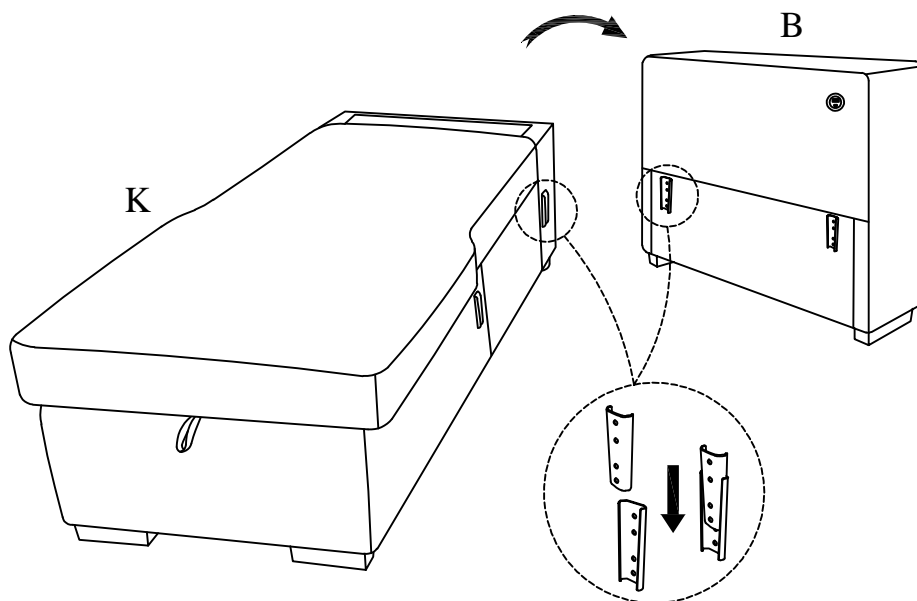
Step 3:

Screw up the round leg (G) and rectangle leg (N) into chaise seat (K)



Step 4:

Slide pop-up chaise seat (K) with RSF arm (B)



ASSEMBLY INSTRUCTION

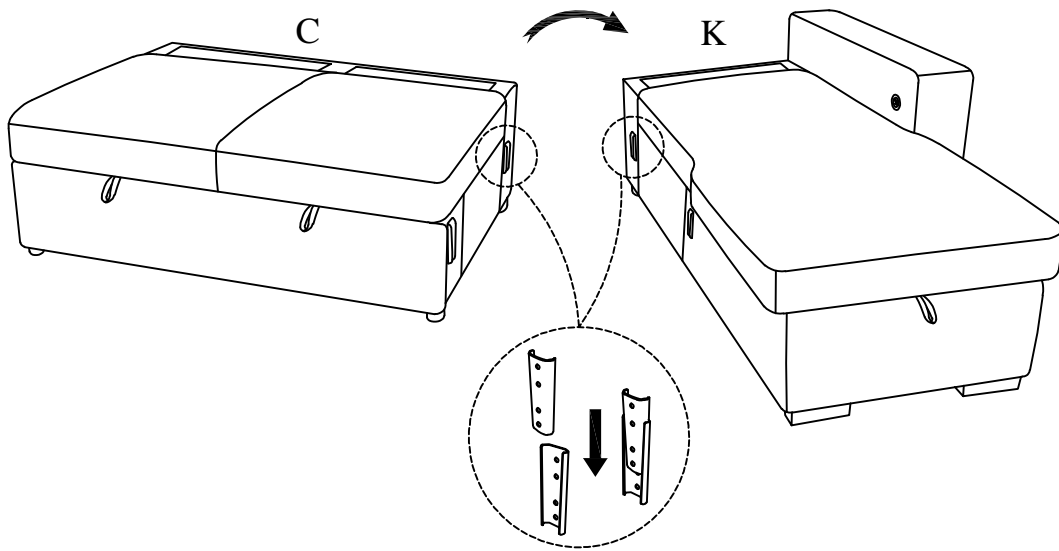
MODEL: U0212-BLANCHE SIL-REV LS - REVERSIBLE
U0212-BLANCHE SIL-REV CHS - REVERSIBLE

DESCRIPTION : SOFA BED LOVESEAT WITH POP-UP SLEEPER WITH DROP DOWN TABLE
SOFA BED CHAISE WITH STORAGE

Thank you for purchasing this quality product. Be sure to check all packing material carefully for small parts that may have come loose inside the carton during shipment

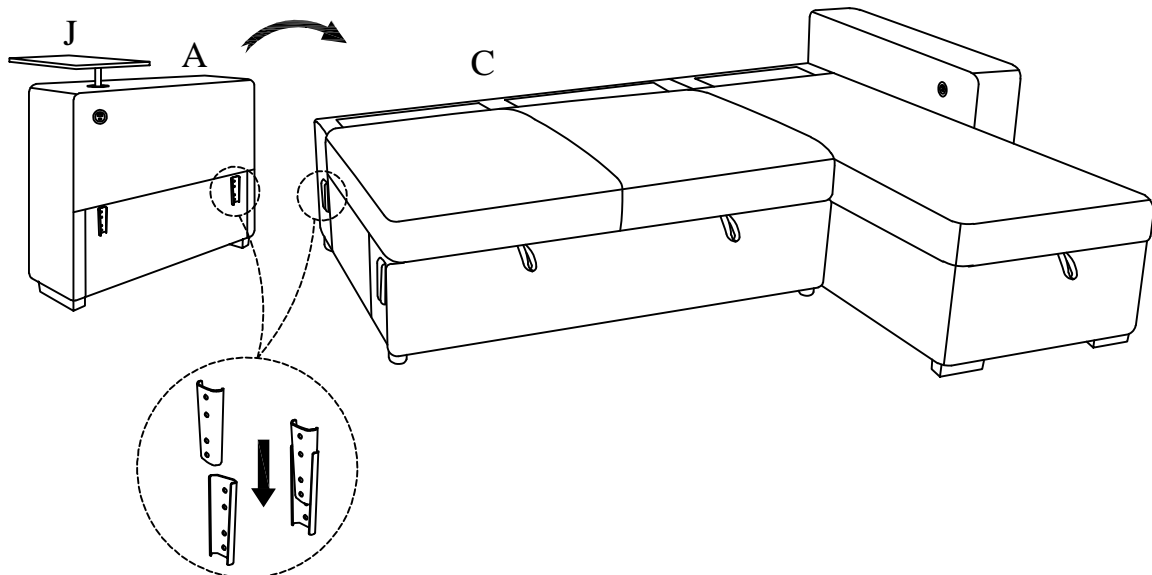
Step 5:

Slide pop-up sleeper seat (C) with chaise seat (K).



Step 6:

Slide LSF arm (A) with pop-up sleeper seat (C).



ASSEMBLY INSTRUCTION

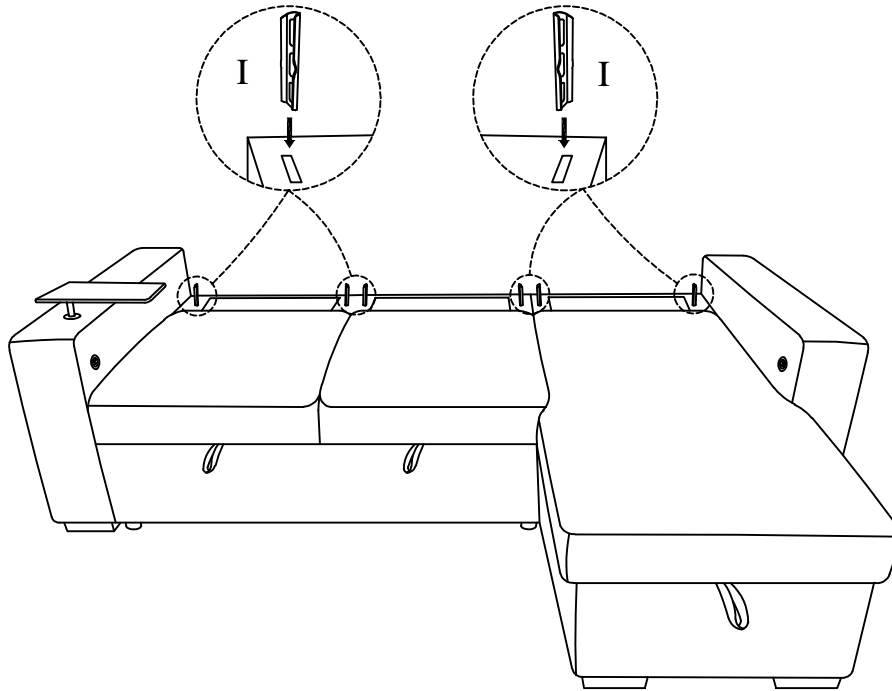
MODEL: U0212-BLANCHE SIL-REV LS - REVERSIBLE
U0212-BLANCHE SIL-REV CHS - REVERSIBLE

DESCRIPTION : SOFA BED LOVESEAT WITH POP-UP SLEEPER WITH DROP DOWN TABLE
SOFA BED CHAISE WITH STORAGE

Thank you for purchasing this quality product. Be sure to check all packing material carefully for small parts that may have come loose inside the carton during shipment

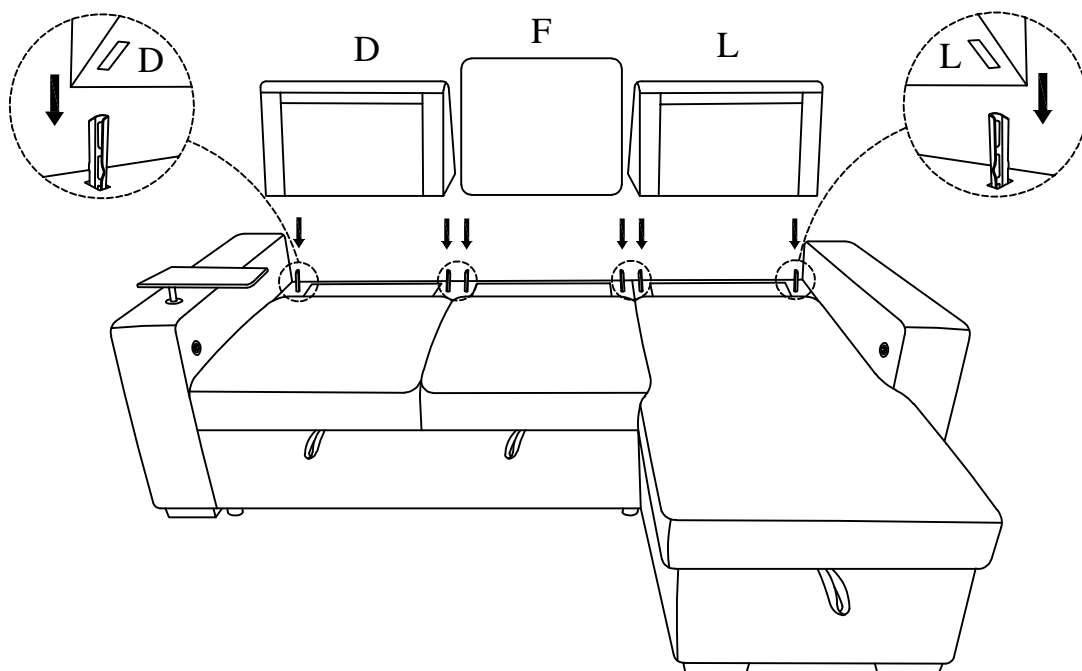
Step 7:

Slide male bracket (I) into the bottom of chaise seat (K) and pop-up sleeper seat (C)



Step 8:

Slide back rest (D/F) and (L) with chaise seat (K) and pop-up sleeper seat (C)



ASSEMBLY INSTRUCTION

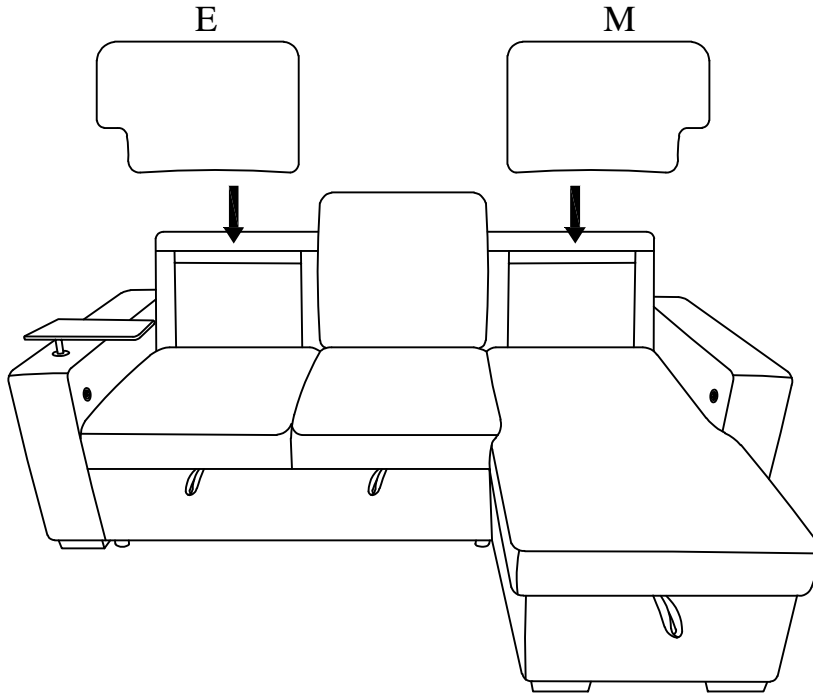
MODEL: U0212-BLANCHE SIL-REV LS - REVERSIBLE
U0212-BLANCHE SIL-REV CHS - REVERSIBLE

DESCRIPTION : SOFA BED LOVESEAT WITH POP-UP SLEEPER WITH DROP DOWN TABLE
SOFA BED CHAISE WITH STORAGE

Thank you for purchasing this quality product. Be sure to check all packing material carefully for small parts that may have come loose inside the carton during shipment

Step 9:

Put back cushion (E) , (M) on the chaise seat (K) and pop-up sleeper seat (C).



Step 10:

The middle is drop down table can pull it . Finally we finish set-up this sofa.

