

ASSEMBLY INSTRUCTION



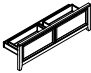

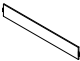





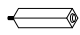
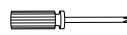
Model : MARIAH
-KB-HB-KB-FB/SLATS-SR

Description : KIONG BED FOOTBOARD
WITH STORAGE AND SLATS

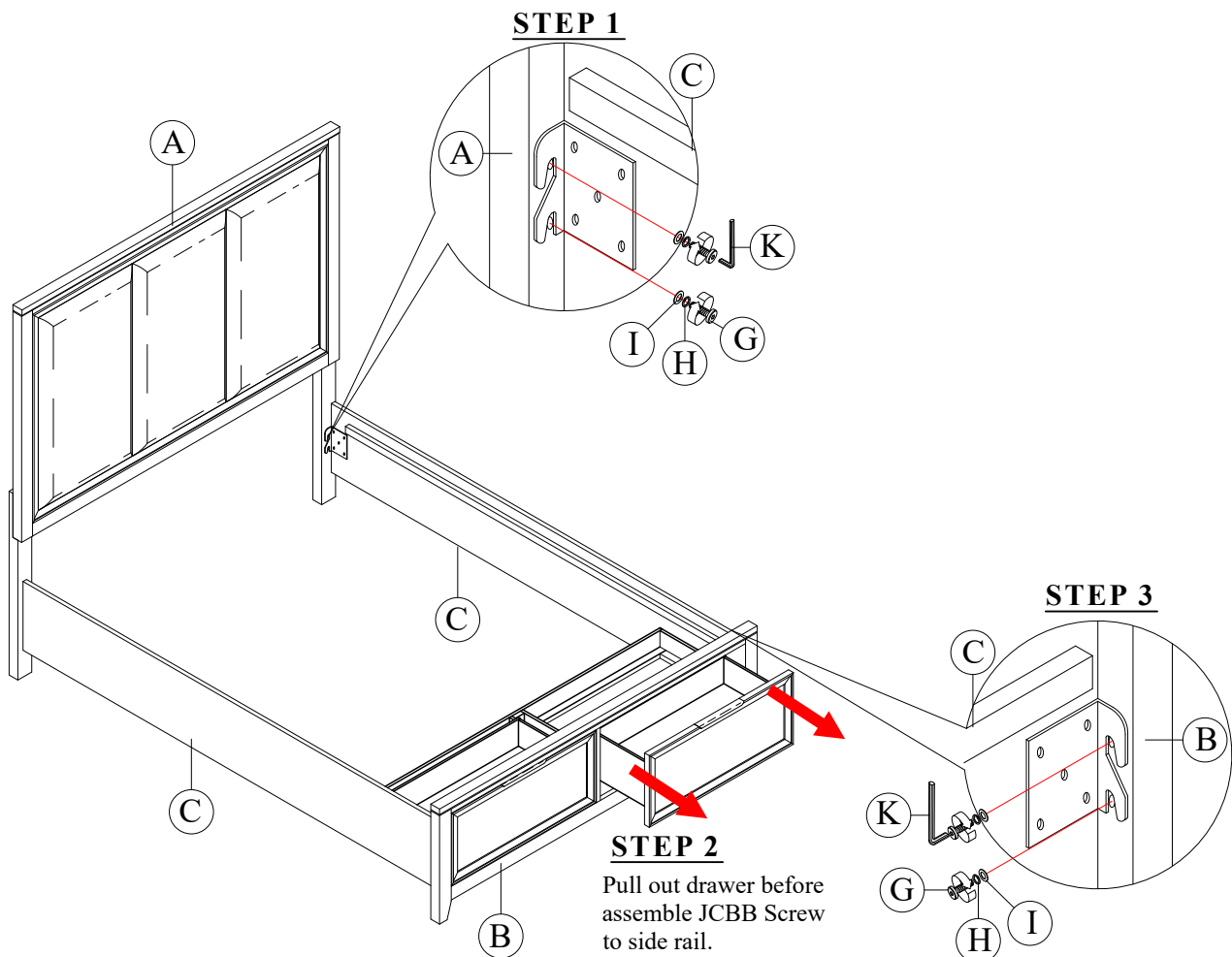
Thank you for purchasing this quality product. Be sure to check all packing material carefully for small parts that may have come loose inside the carton during shipment.

PART LIST :

HARDWARE LIST :

No.	Description	Diagram	Quantity	No.	Description	Diagram	Size	Quantity
A	HEADBOARD		1	G	JCBB SCREW		M8 x 25mm	8
B	FOOTBOARD STORAGE		1	H	SPRING WASHER		M8 x 15mm	8
C	SIDE RAIL		2	I	FLAT WASHER		M8 x 22mm	8
D	WOODEN SLAT		12	J	CB SCREW		M4 x 32mm	24
E	CENTER RAIL		2	K	ALLEN KEY		M5	1
F	WOODEN SUPPORT		4	L	SCREW DRIVER (*)			1

(*) The manufacturer does not provide item L.



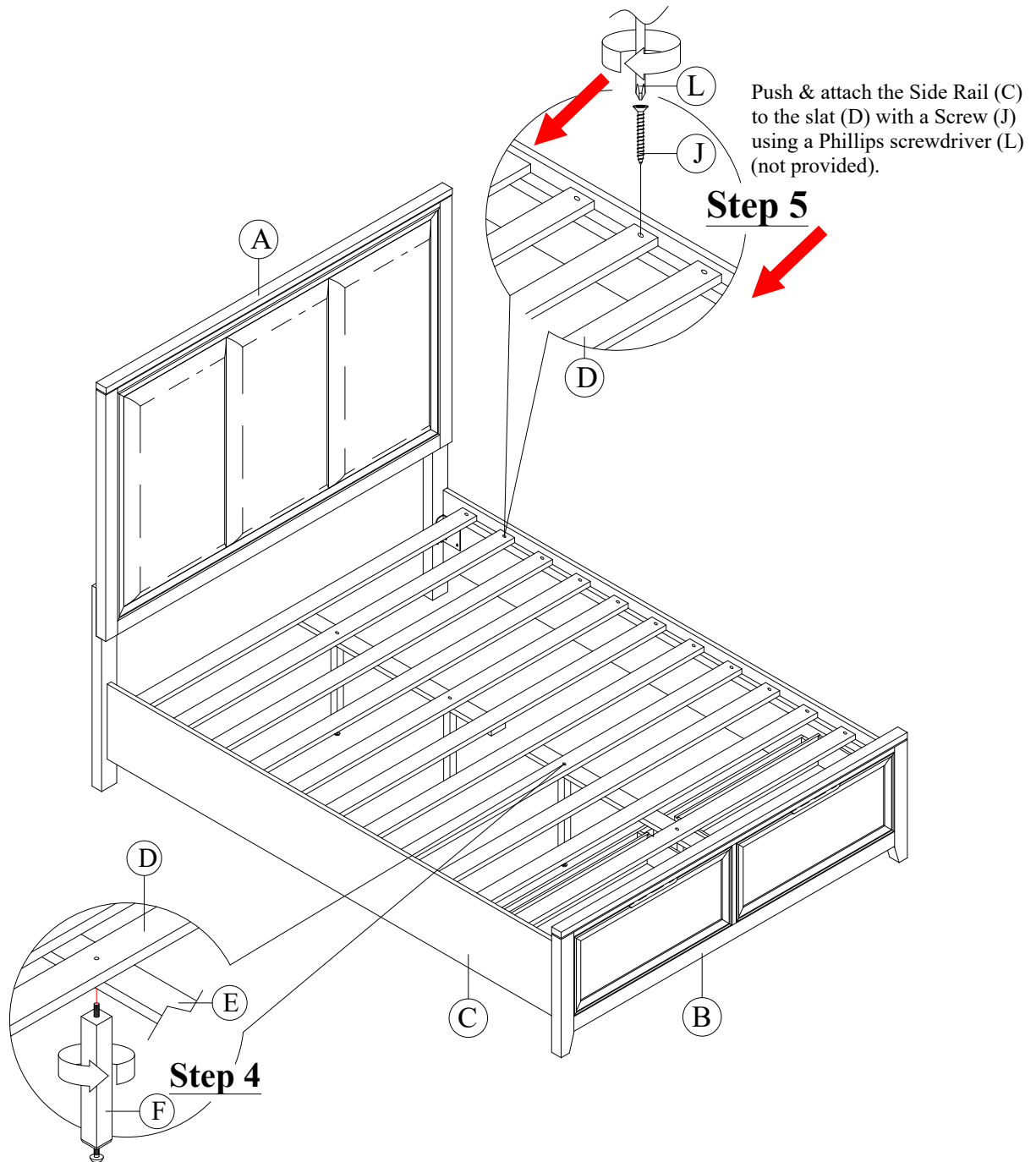
Made In Malaysia

ASSEMBLY INSTRUCTION

Model : MARIAH-BEIGE
-KB-HB-KB-FB/SLATS-SR

Description : KING BED FOOTBOARD
WITH STORAGE AND SLATS

Thank you for purchasing this quality product. Be sure to check all packing material carefully for small parts that may have come loose inside the carton during shipment.



Made In Malaysia