

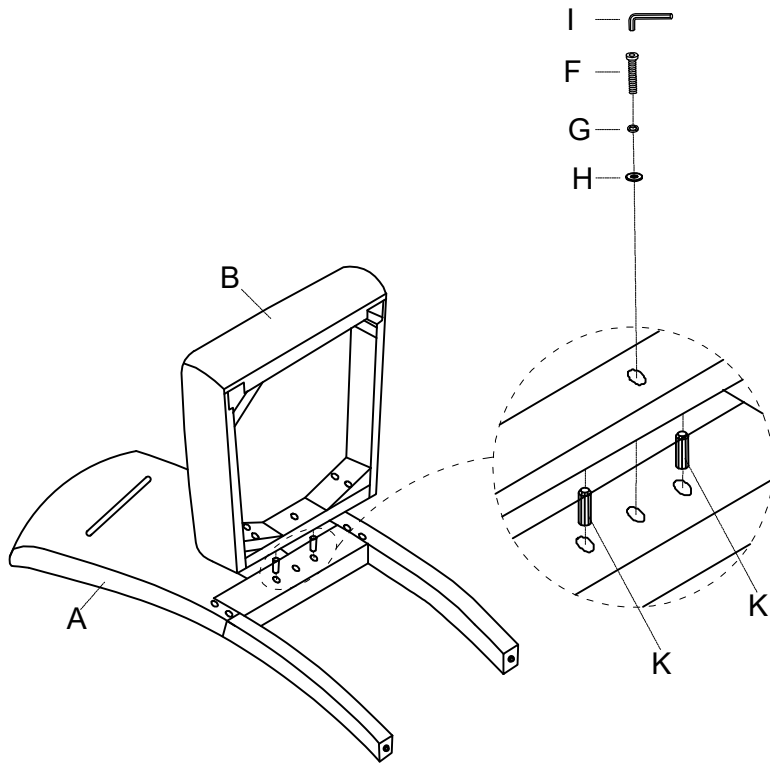
ASSEMBLY INSTRUCTION

Model:D8212DC-BRWN

Description: DINING CHAIR

Thank you for purchasing this quality product. Be sure to check all packing material carefully for small parts that may have come loose inside the carton during shipment.

Step 1



- I — L-shaped bracket
- F — Bolt
- G — Washer
- H — Washer

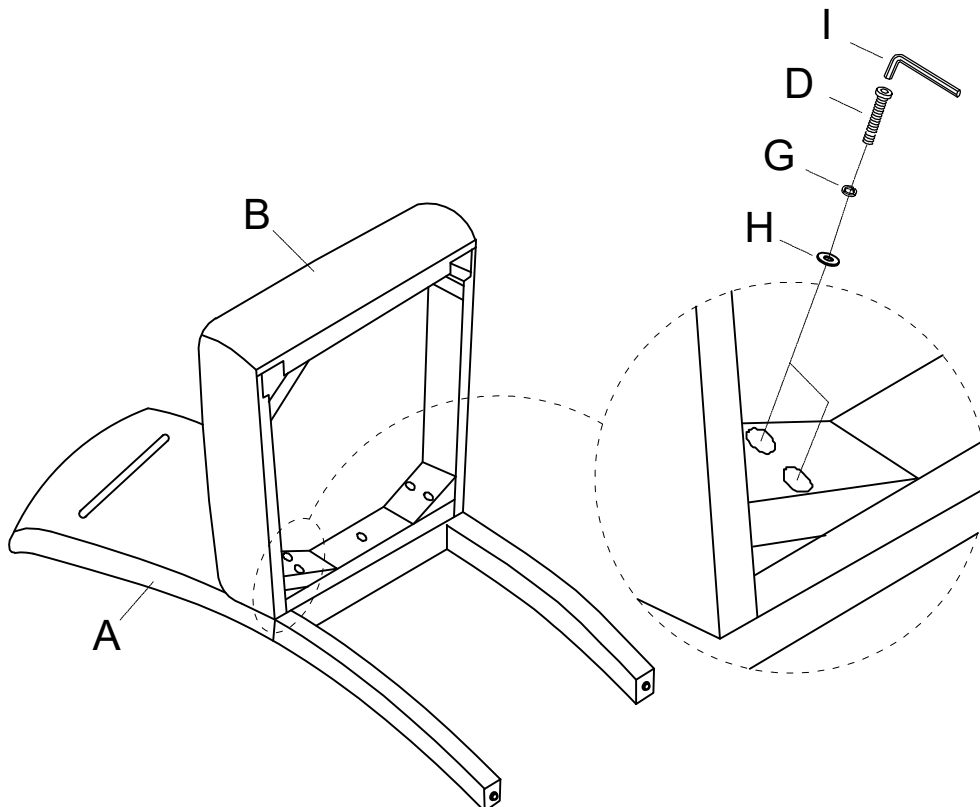
PARTS

A		Chair Back	1pc
B		Seat	1pc
C		Front Leg	2pcs

HARDWARE LIST

D		Ø5/16"*3-1/4"	4pcs
E		Ø5/16"*2-1/4"	4pcs
F		Ø5/16"*1-3/8"	2pc
G		Ø5/16"	10pcs
H		Ø5/16"*22mm	10pcs
I		M5	1pc
K		Ø10*30mm	1pcs

Step 2



- I — L-shaped bracket
- D — Bolt
- G — Washer
- H — Washer

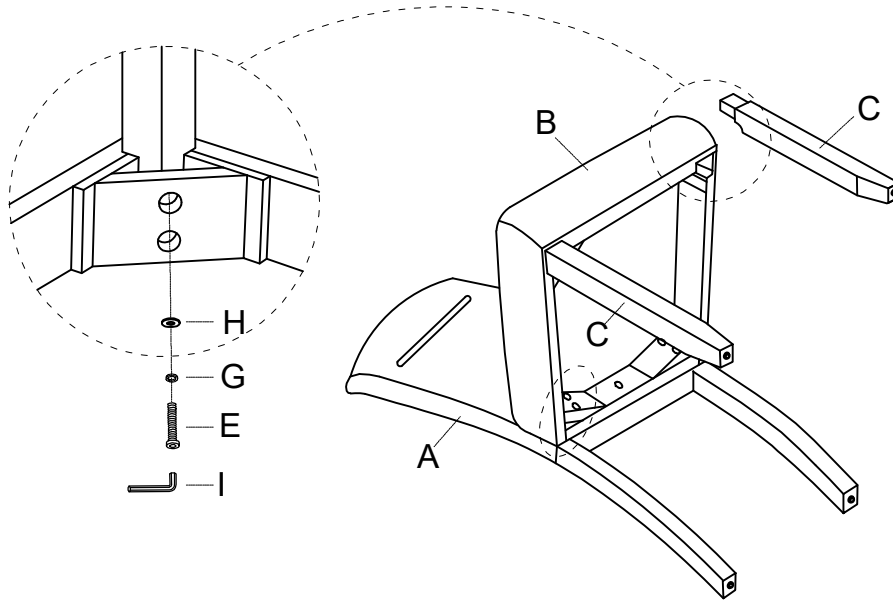
ASSEMBLY INSTRUCTION

Model:D8212DC-BRWN

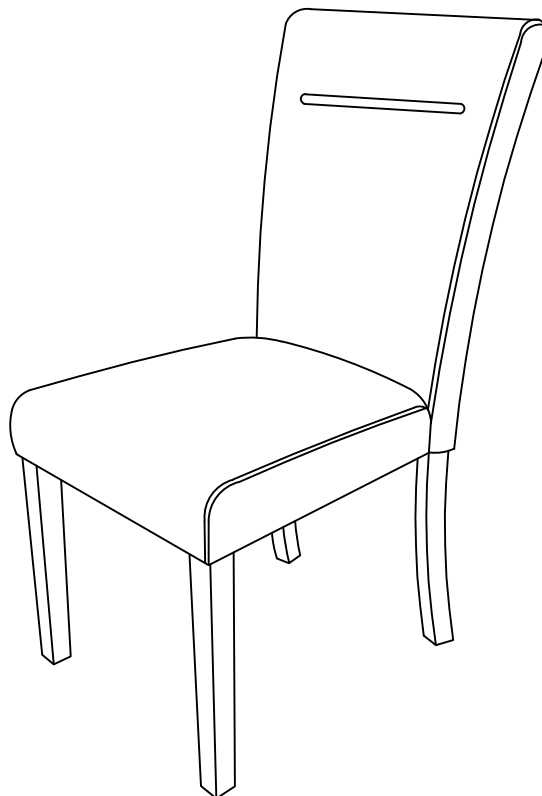
Description: DINING CHAIR

Thank you for purchasing this quality product. Be sure to check all packing material carefully for small parts that may have come loose inside the carton during shipment.

Step 3



Step 4: Completed



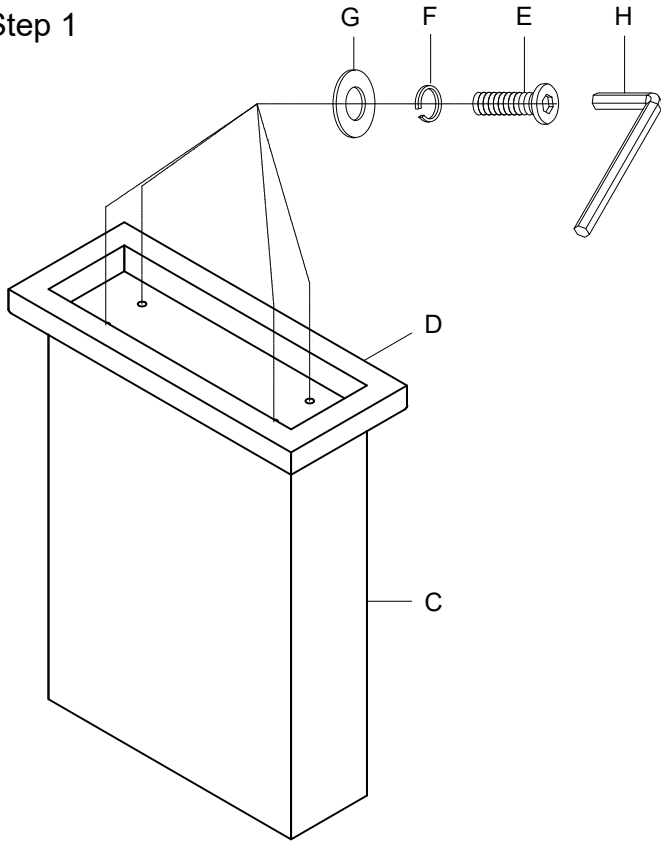
ASSEMBLY INSTRUCTION

Model: D8212DT-T / D8212DT-BS

Description: DINING TABLE

Thank you for purchasing this quality product. Be sure to check all packing material carefully for small parts that may have come loose inside the carton during shipment.

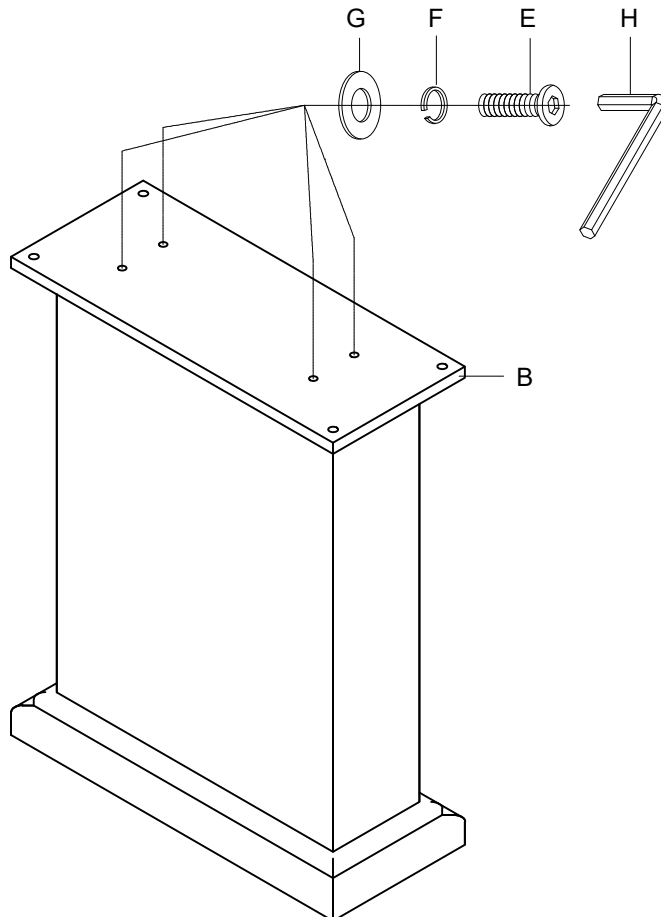
Step 1



PARTS			
A		Table top	1pc
B		Connecting board	2pcs
C		Table leg	2pcs
D		Base	2pcs

HARDWARE LIST			
E		Ø5/16"*35mm	24pcs
F		Ø5/16"	24pcs
G		Ø5/16"*19mm	24pcs
H		M5	1pc

Step 2



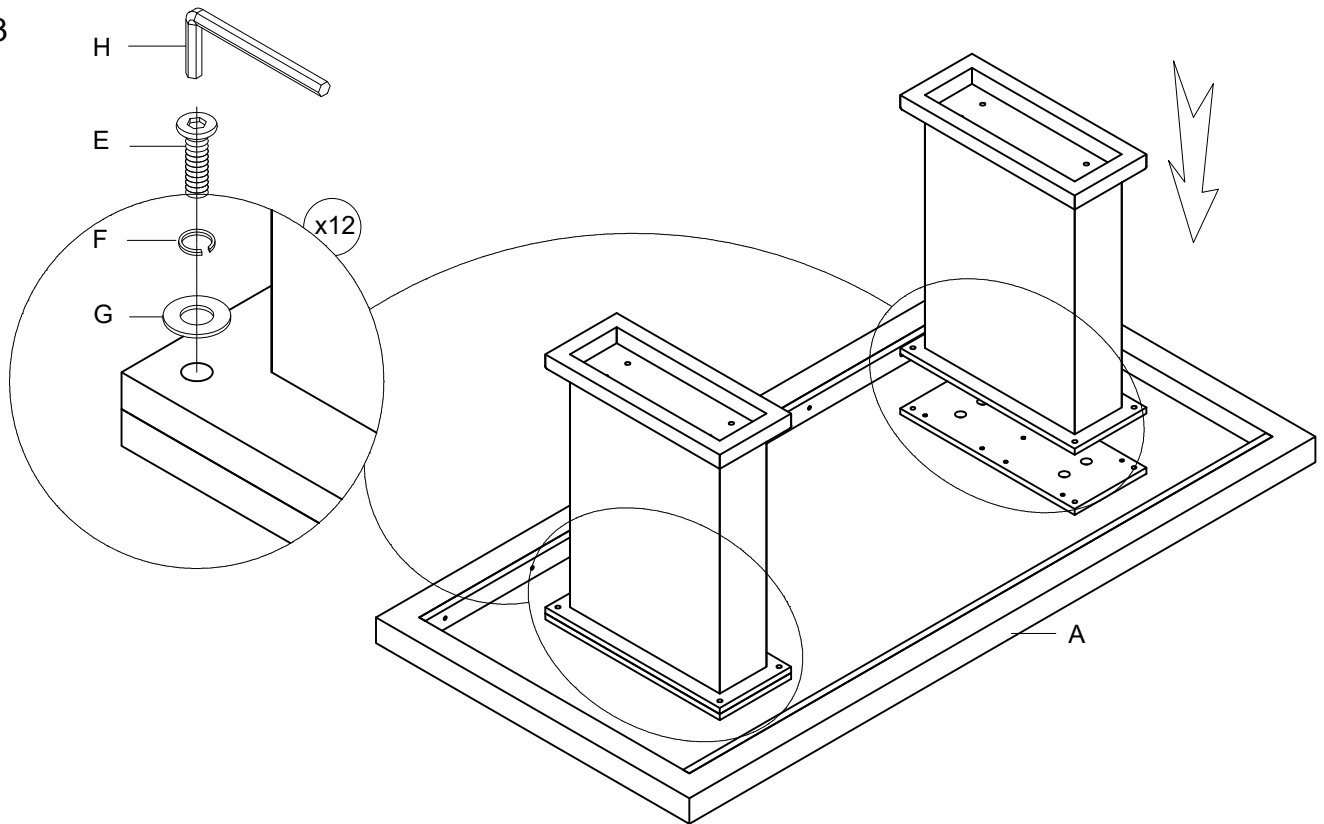
ASSEMBLY INSTRUCTION

Model: D8212DT-T / D8212DT-BS

Description: DINING TABLE

Thank you for purchasing this quality product. Be sure to check all packing material carefully for small parts that may have come loose inside the carton during shipment.

Step 3



Step 4: Complete

