

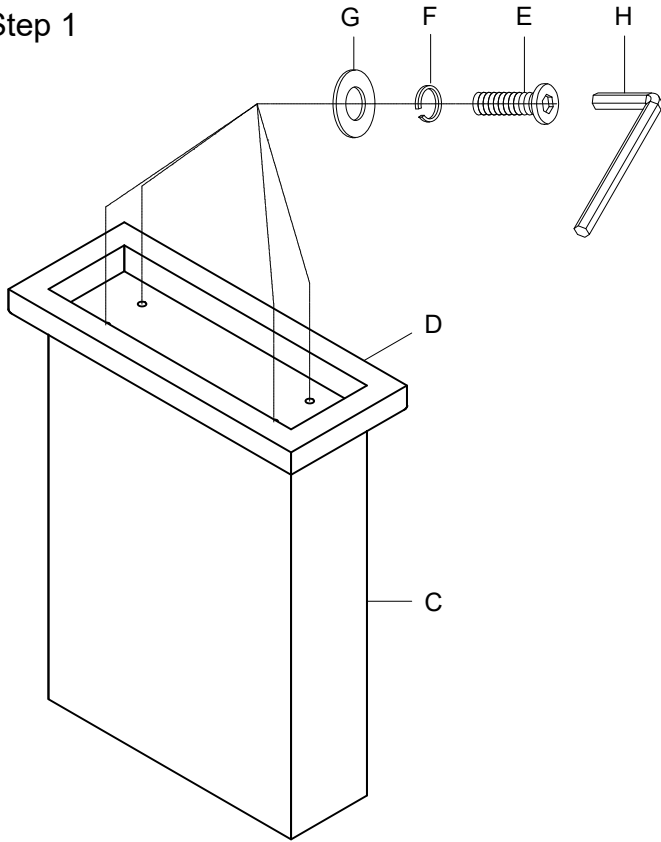
ASSEMBLY INSTRUCTION

Model: D8212DT-T / D8212DT-BS

Description: DINING TABLE

Thank you for purchasing this quality product. Be sure to check all packing material carefully for small parts that may have come loose inside the carton during shipment.

Step 1

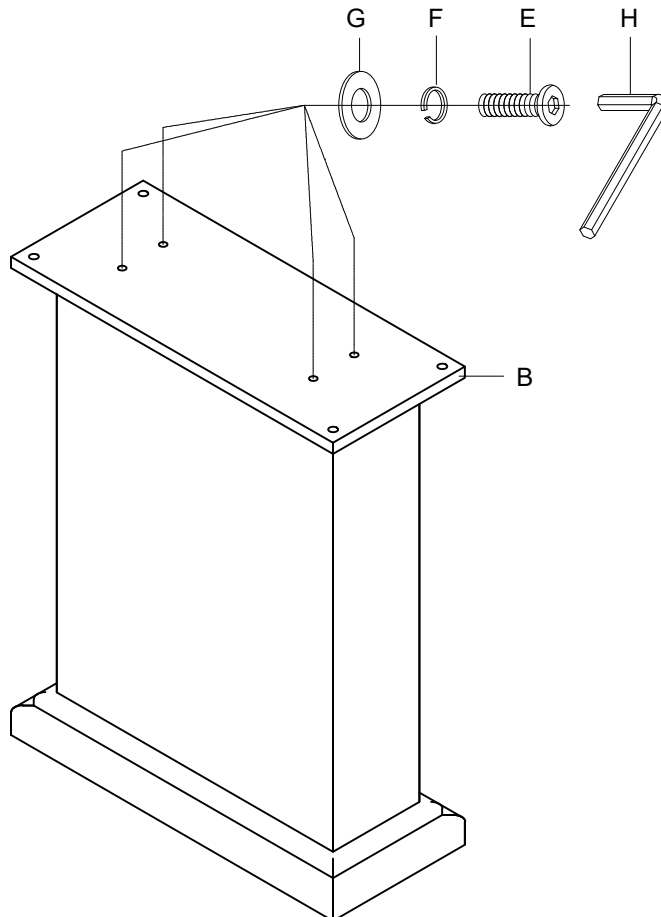


PARTS			
A		Table top	1pc
B		Connecting board	2pcs
C		Table leg	2pcs
D		Base	2pcs

HARDWARE LIST

E		Ø5/16"*35mm	24pcs
F		Ø5/16"	24pcs
G		Ø5/16"*19mm	24pcs
H		M5	1pc

Step 2



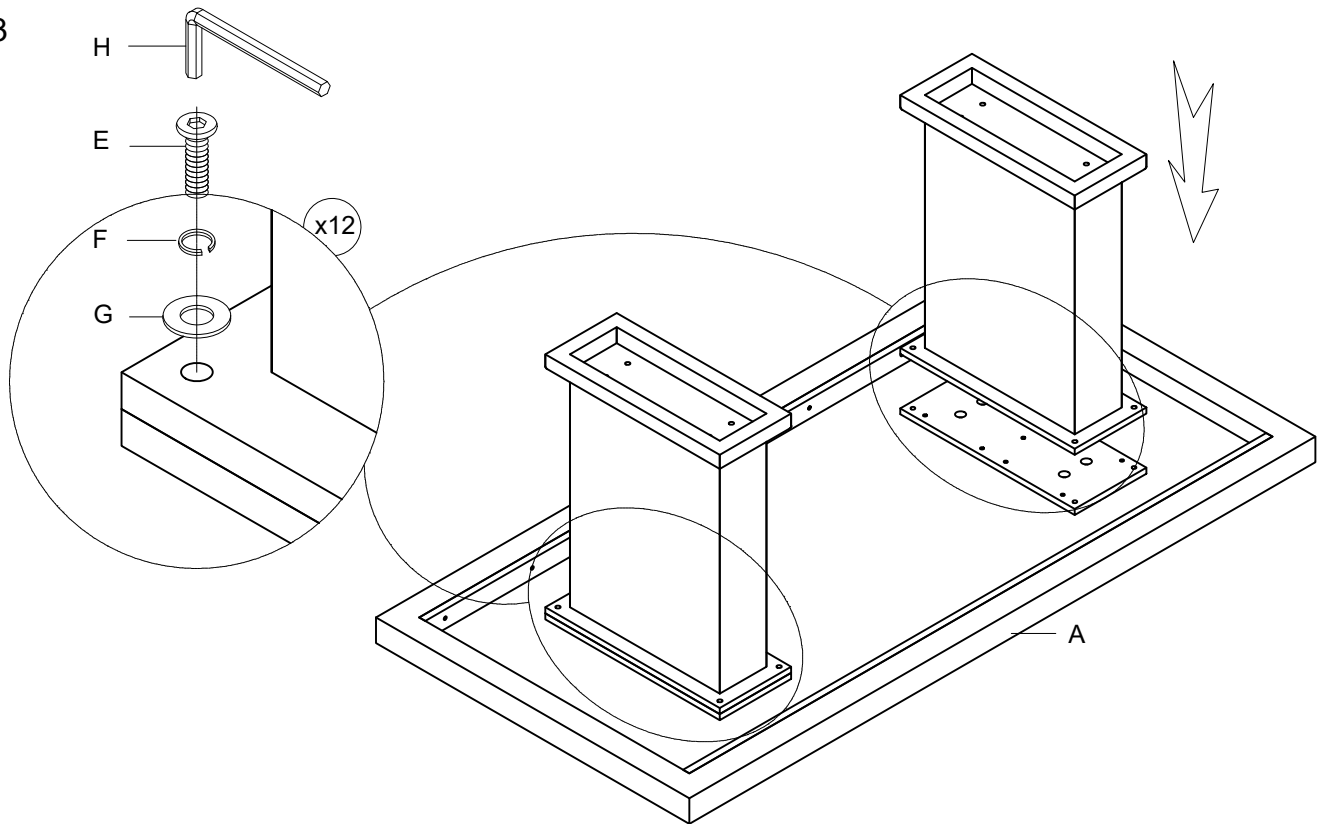
ASSEMBLY INSTRUCTION

Model: D8212DT-T / D8212DT-BS

Description: DINING TABLE

Thank you for purchasing this quality product. Be sure to check all packing material carefully for small parts that may have come loose inside the carton during shipment.

Step 3



Step 4: Complete

