

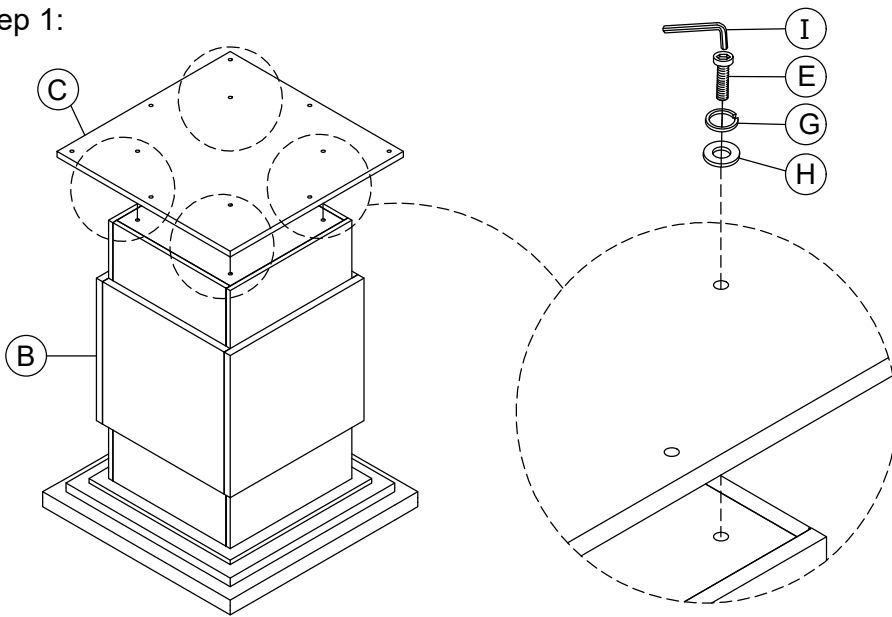
ASSEMBLY INSTRUCTION

Model : D12BT

Description : BAR TABLE

Thank you for purchasing this quality product. Be sure to check all packing material carefully for small parts that may have come loose inside the carton during shipment.

Step 1:



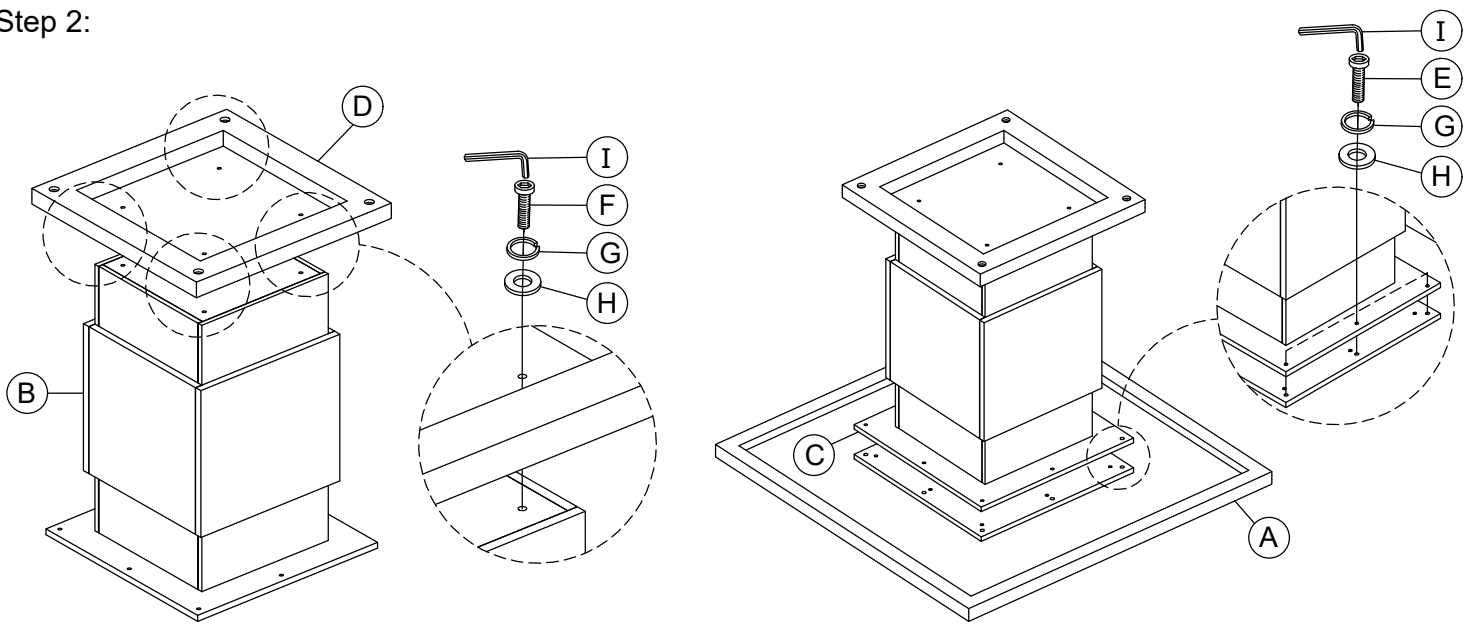
PART LIST:

No.	Description	Diagram	Quantity
A	Table Top		1
B	Table Legs		1
C	Connection Panel		1
D	Bottom Base		1

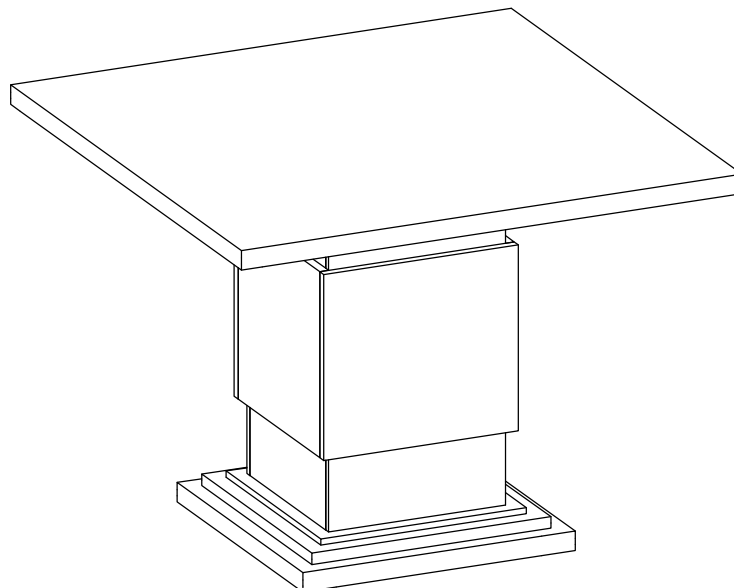
HARDWARE LIST:

No.	Description	Diagram	size	Quantity
E	Short Bolt		Ø5/16" x 1-3/8"	12
F	Long Bolt		Ø5/16" x 2-1/2"	4
G	Lock Washer		Ø5/16"	16
H	Flat Washer		Ø5/16"	16
I	Allen Key		M5	1

Step 2:



Finished



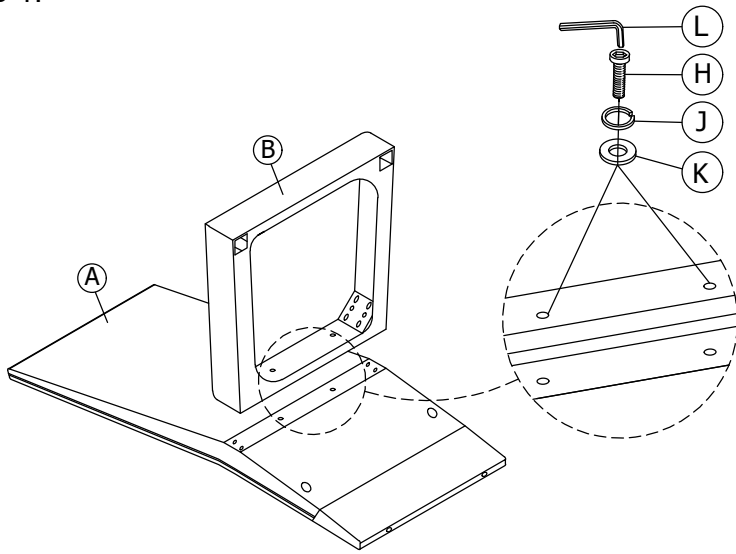
ASSEMBLY INSTRUCTION

Model : D12BS

Description : BAR STOOL

Thank you for purchasing this quality product. Be sure to check all packing material carefully for small parts that may have come loose inside the carton during shipment.

Step 1:



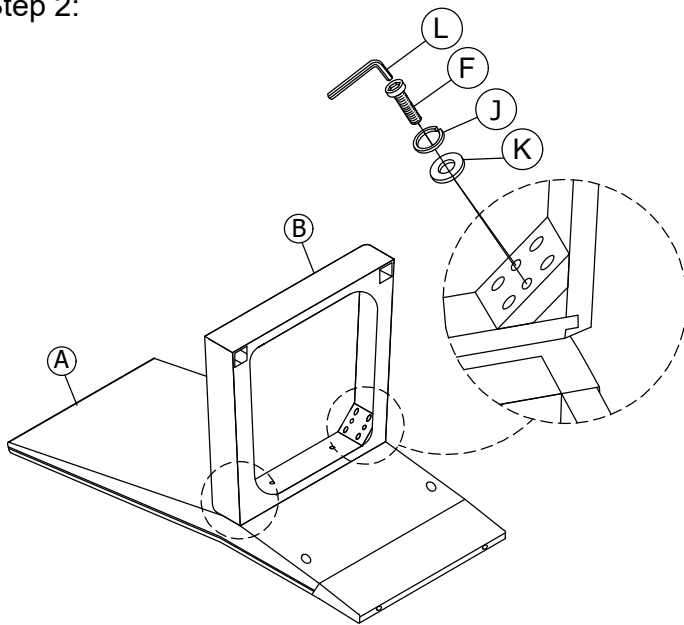
PART LIST:

No.	Description	Diagram	Quantity
A	Chair Back		1
B	Seat Cushion		1
C	Chair Leg		2
D	Long Stretcher		2
E	Short Stretcher		1

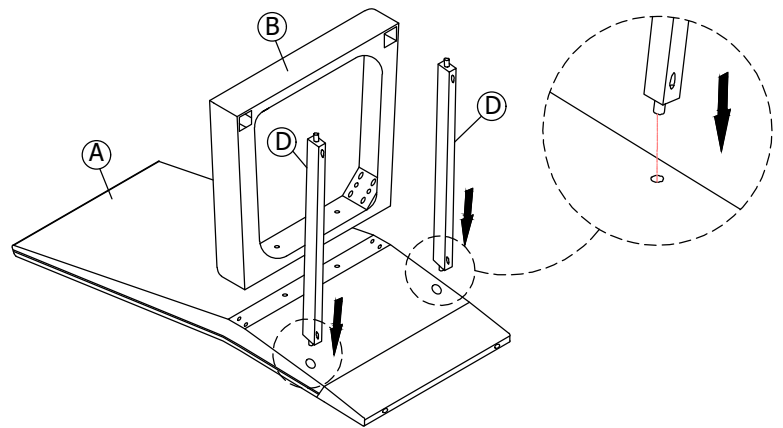
HARDWARE LIST:

No.	Description	Diagram	size	Quantity
F	Bolt		Ø5/16" x 3-1/4"	4
G	Bolt		Ø5/16" x 2-1/4"	4
H	Bolt		Ø5/16" x 1-1/2"	2
I	Screw		Ø8*1-1/2"	6
J	Lock Washer		Ø5/16"	10
K	Flat Washer		Ø5/16"	10
L	Allen Key		M5	1

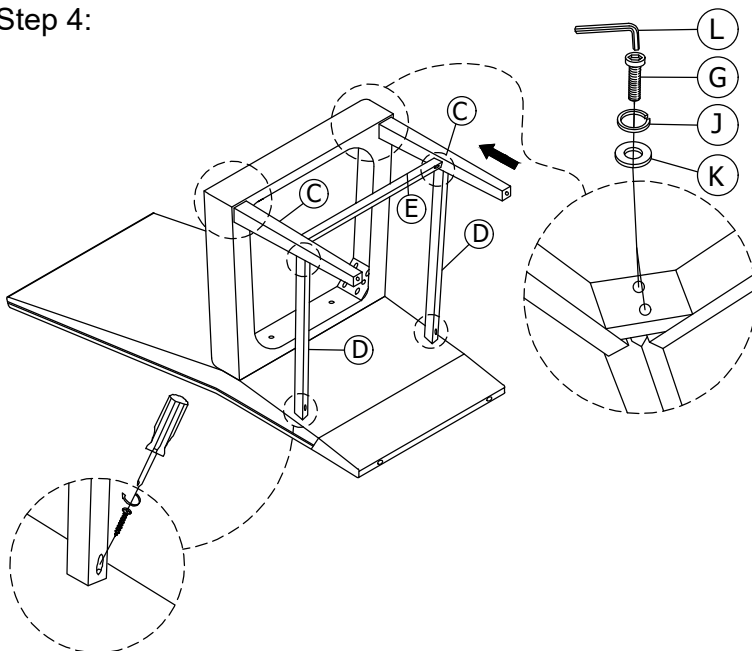
Step 2:



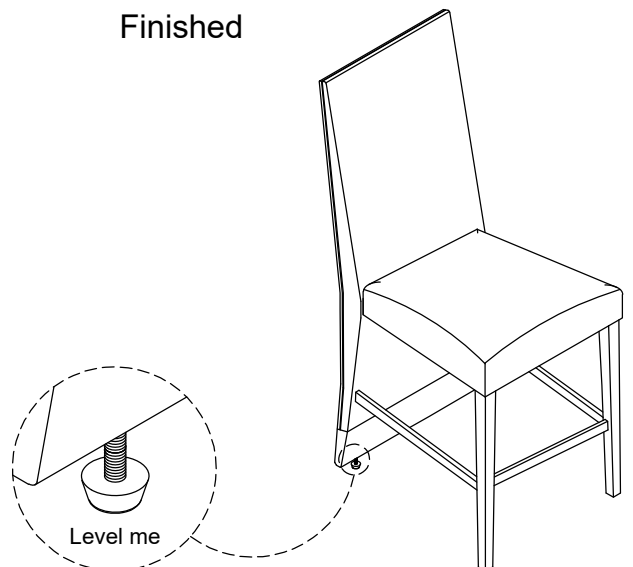
Step 3:



Step 4:



Finished



Made in Viet Nam