

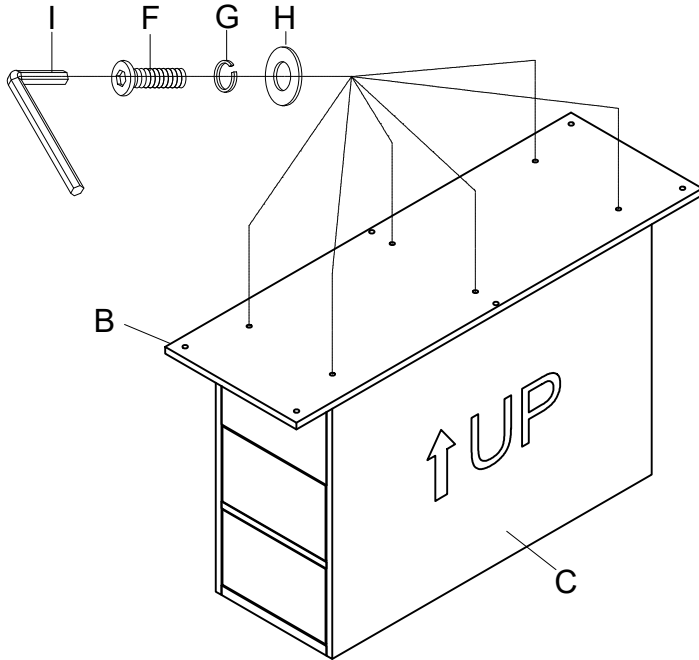
# ASSEMBLY INSTRUCTION

Model: D8030DT-T/D8030DT-BS

Description: DINING TABLE

Thank you for purchasing this quality product. Be sure to check all packing material carefully for small parts that may have come loose inside the carton during shipment.

Step 1:



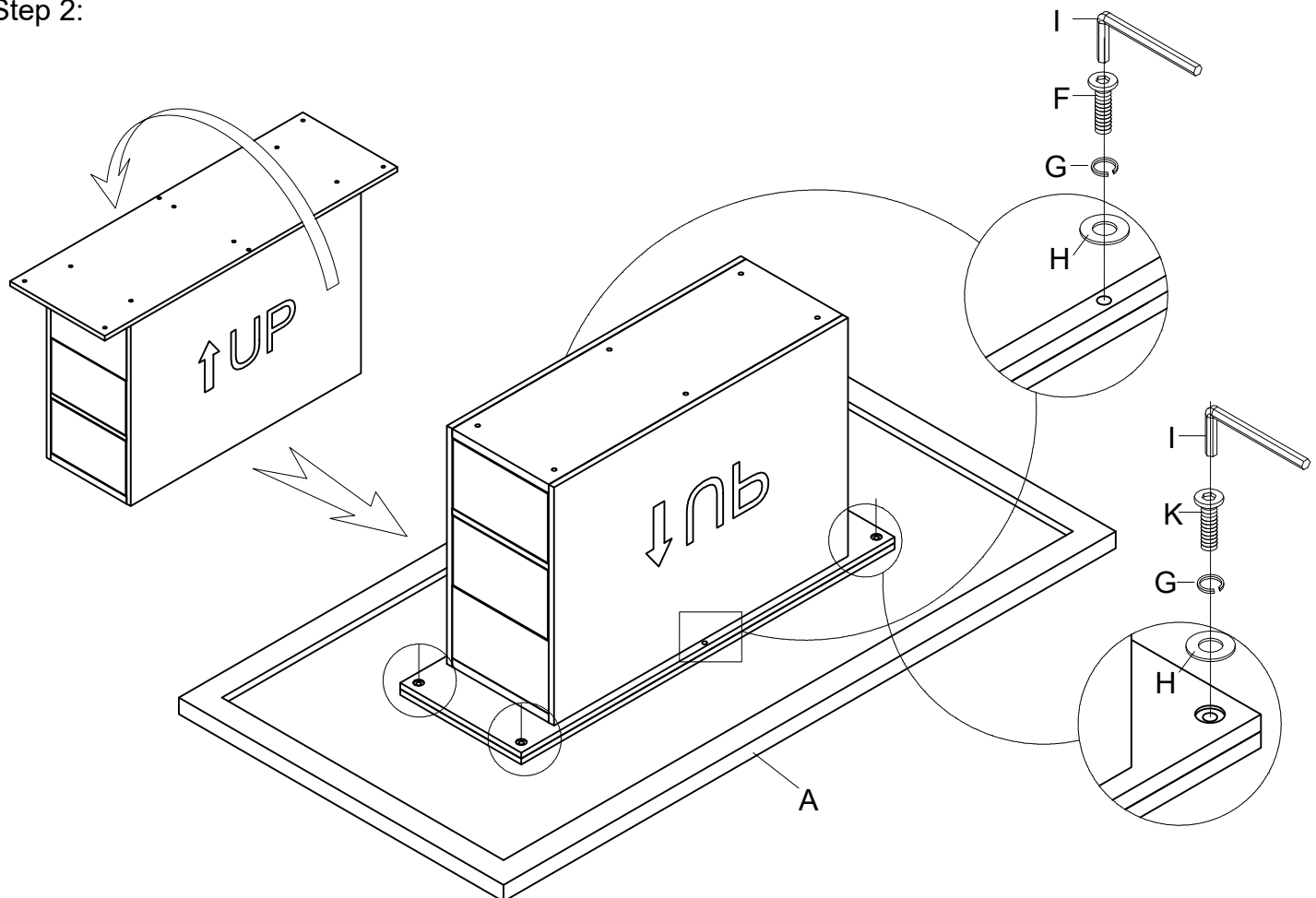
## PARTS

A		Table top	1pc
B		Connecting board	1pc
C		Table leg	1pc
D		Base	1pc
E		The acrylic panel	1pc

## HARDWARE LIST

F		Ø5/16"*35mm	14pcs
G		Ø5/16"	18pcs
H		Ø5/16"*22mm	18pcs
I		M5	1pc
K		Ø5/16"*30mm	4pcs

Step 2:



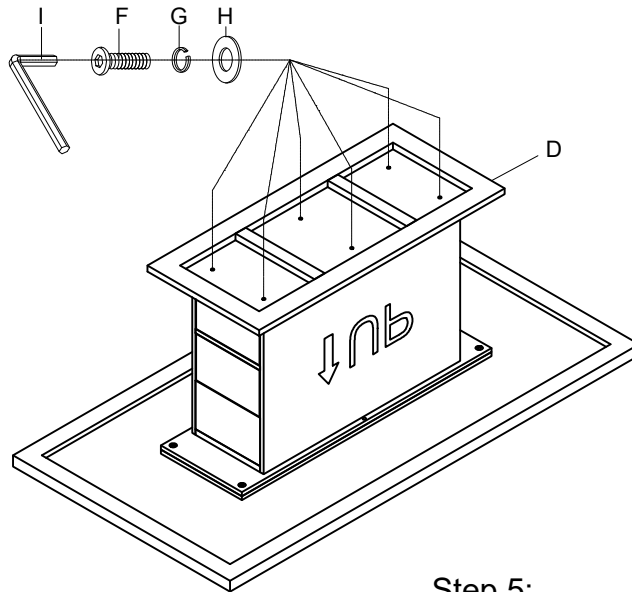
# ASSEMBLY INSTRUCTION

Model: D8030DT-T/D8030DT-BS

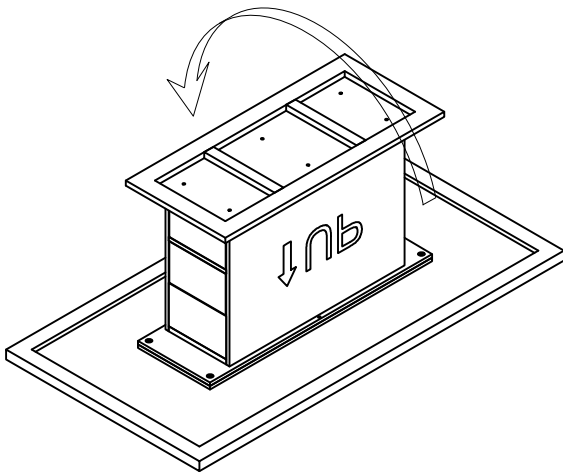
Description: DINING TABLE

Thank you for purchasing this quality product. Be sure to check all packing material carefully for small parts that may have come loose inside the carton during shipment.

Step 3:

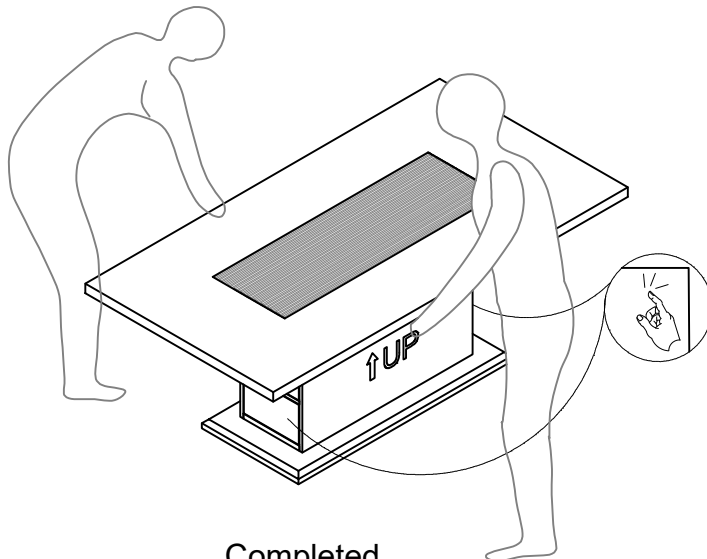
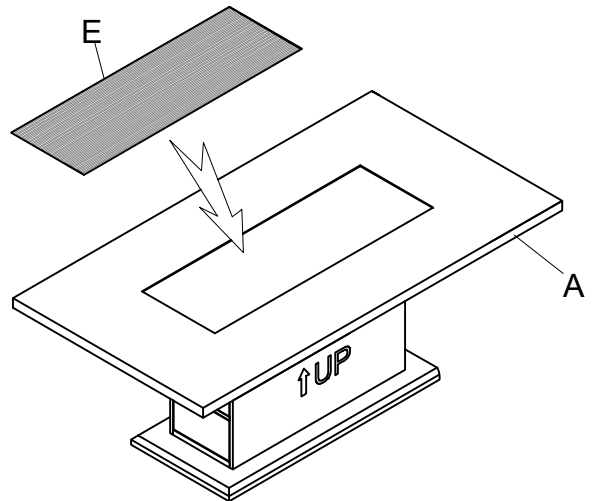


Step 4:



Step 5:

The acrylic panel (E) must be inserted vertically into the table top (A)



Completed

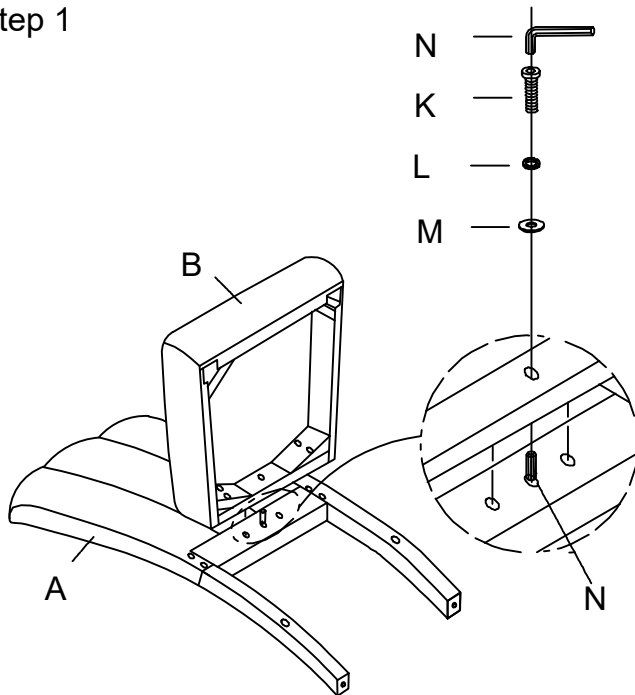
# ASSEMBLY INSTRUCTION

Model: D8030DC

Description: DINING CHAIR

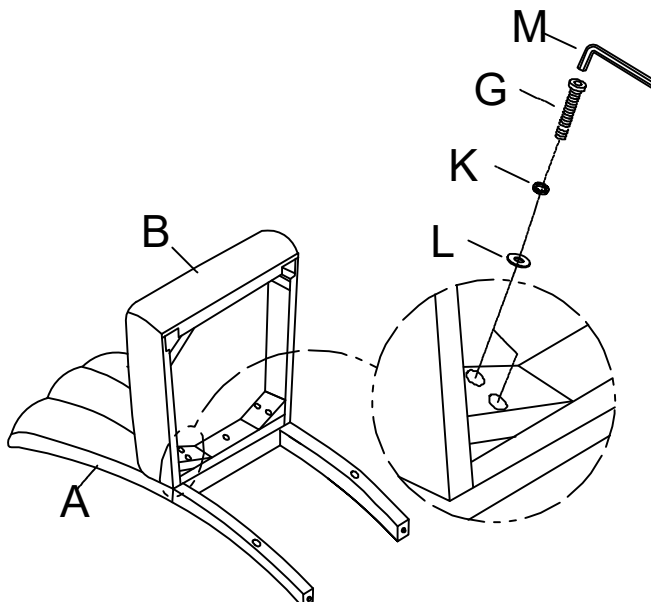
Thank you for purchasing this quality product. Be sure to check all packing material carefully for small parts that may have come loose inside the carton during shipment.

Step 1



PARTS			
A		Chair Back	1pc
B		Seat	1pc
C		Front Right Leg	1pc
D		Front Left Leg	1pc
E		Left side Stretcher	1pc
F		Right side Stretcher	1pc
HARDWARE LIST			
G		Ø5/16"*3-1/4"	4pcs
H		Ø5/16"*2-1/4"	4pcs
I		Ø5/16"*1-3/4"	2pcs
K		Ø5/16"	10pcs
L		Ø5/16"*22mm	10pcs
M		M5	1pc
N		Ø10*30mm	1pc
P		M8*1-3/4"	4pcs

Step 2



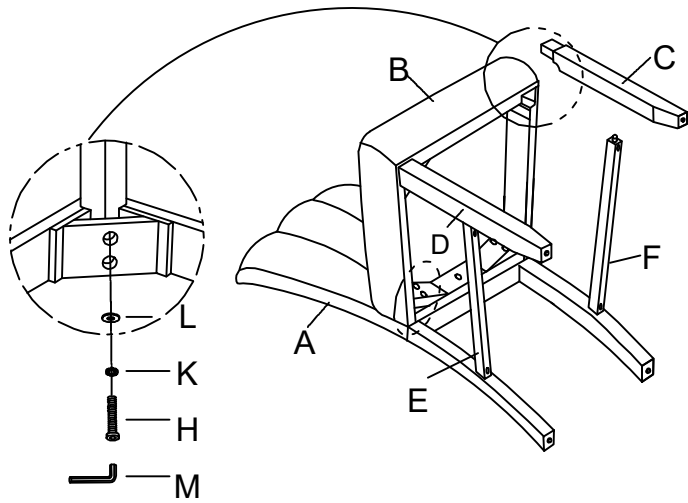
# ASSEMBLY INSTRUCTION

Model: D8030DC

Description: DINING CHAIR

Thank you for purchasing this quality product. Be sure to check all packing material carefully for small parts that may have come loose inside the carton during shipment.

## Step 3



## Step 4

