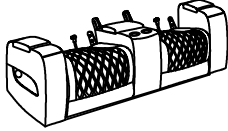







ASSEMBLY INSTRUCTIONS

Model: U8611 Loveseat

Description: Power Console Reclining Loveseat
With Power Headrest, Led And Speaker.

Thank you for purchasing this quality product. Be sure to check all packing material carefully for small parts that may have come loose inside the carton during shipment

PARTS LIST				PARTS LIST			
NO.	DESCRIPTION	SKETCH	QTY	NO.	DESCRIPTION	SKETCH	QTY
A	LOVESEAT BODY		1 PC	C	CONSOLE BACK REST		1 PC
B	LEFT BACK REST		1 PC	D	RIGHT BACK REST		1 PC

HARDWARE LIST				HARDWARE LIST			
NO.	DESCRIPTION	SKETCH	QTY	NO.	DESCRIPTION	SKETCH	QTY
E	ADAPTER		1 PC	F	ADAPTER OF SPEAKER		1 PC

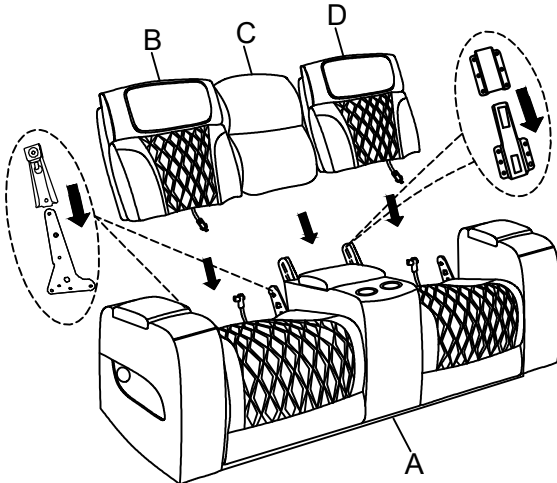
ASSEMBLY INSTRUCTIONS

Model: U8611 Loveseat

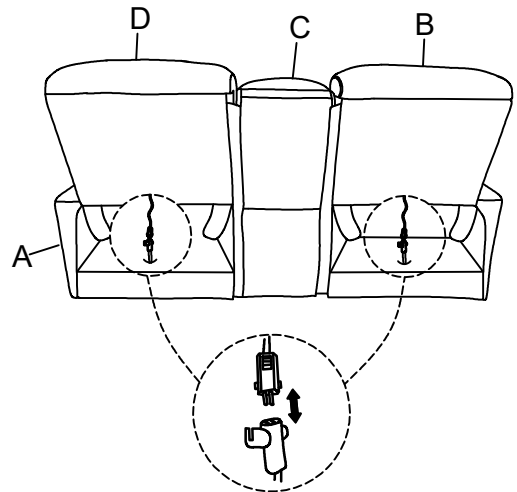
Description: Power Console Reclining Loveseat With Power Headrest, Led And Speaker.

Thank you for purchasing this quality product. Be sure to check all packing material carefully for small parts that may have come loose inside the carton during shipment

Step 1: Attach left back rest (B), console back rest (C) and right back rest (D) into the loveseat body (A), as shown below.

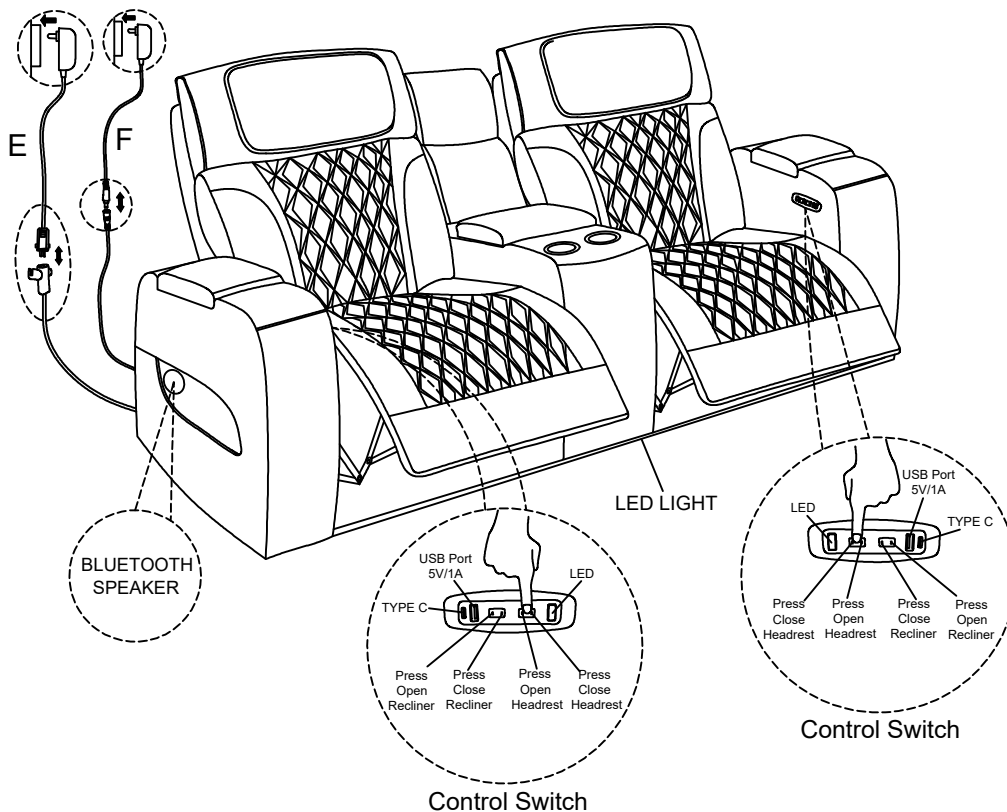


Step 2: Connecting the wire from back rest to seat for power headrest as shown below.



Step 3: Use adapter (E) to connect with power then press the button on/off to open the footrest as shown below diagram.

Use adapter (F) to connect the speaker, as shown below diagram.

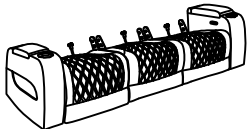







ASSEMBLY INSTRUCTIONS

Model: U8611 Sofa

Description: Power Reclining Sofa With Power Headrest And Led.

Thank you for purchasing this quality product. Be sure to check all packing material carefully for small parts that may have come loose inside the carton during shipment

PARTS LIST				PARTS LIST			
NO.	DESCRIPTION	SKETCH	QTY	NO.	DESCRIPTION	SKETCH	QTY
A	SOFA BODY		1 PC	C	MIDDLE BACK REST		1 PC
B	LEFT BACK REST		1 PC	D	RIGHT BACK REST		1 PC

HARDWARE LIST				HARDWARE LIST			
NO.	DESCRIPTION	SKETCH	QTY	NO.	DESCRIPTION	SKETCH	QTY
E	ADAPTER		1 PC	G	ADAPTER OF READING LIGHT		1 PC

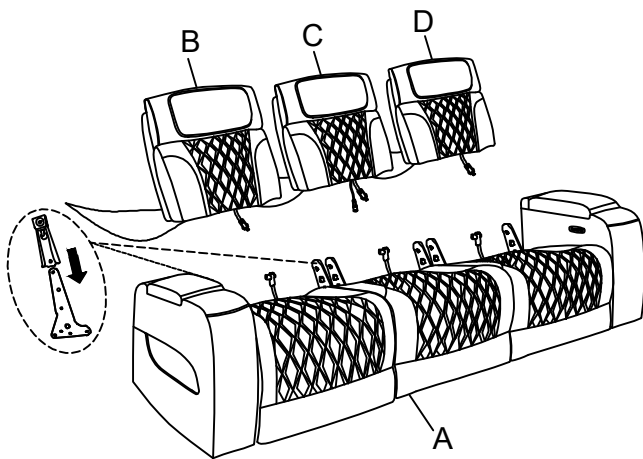
ASSEMBLY INSTRUCTIONS

Model: U8611 Sofa

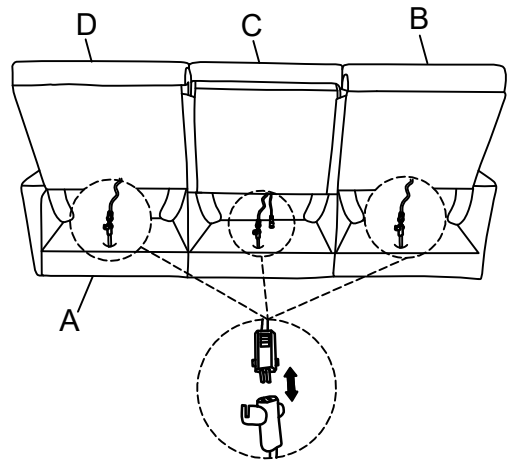
Description: Power Reclining Sofa With Power Headrest And Led.

Thank you for purchasing this quality product. Be sure to check all packing material carefully for small parts that may have come loose inside the carton during shipment

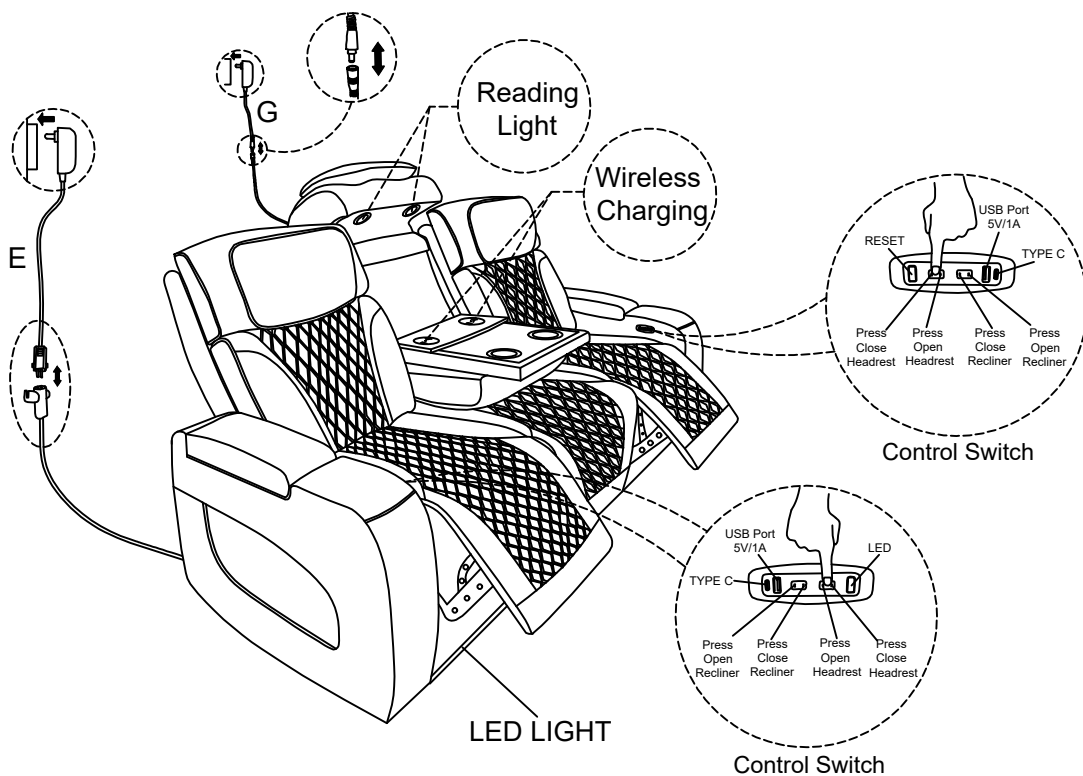
Step 1: Attach left back rest (B), middle back rest (C) and right back rest (D) into the sofa body (A), as shown below.



Step 2: Connecting the wire from back rest to seat for power headrest as shown below.



Step 3: Use adapter (E) to connect with power then press the button on/off to open the footrest as shown below diagram.
Use adapter (G) to connect the reading light as shown below diagram.



2 OF 2

Made in Vietnam