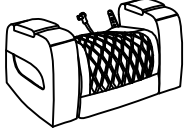




ASSEMBLY INSTRUCTIONS

Model: U8611 Chair

Description: Power Recliner With Power Headrest And Led And .

Thank you for purchasing this quality product. Be sure to check all packing material carefully for small parts that may have come loose inside the carton during shipment

PARTS LIST				PARTS LIST			
NO.	DESCRIPTION	SKETCH	QTY	NO.	DESCRIPTION	SKETCH	QTY
A	RECLINER BODY		1 PC	B	BACK REST		1 PC

HARDWARE LIST				HARDWARE LIST			
NO.	DESCRIPTION	SKETCH	QTY	NO.	DESCRIPTION	SKETCH	QTY
C	ADAPTER		1 PC				

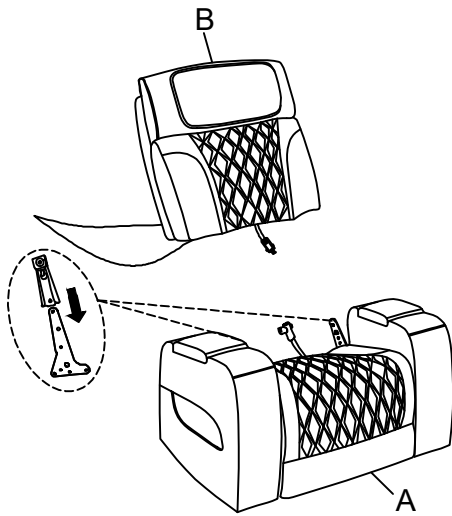
ASSEMBLY INSTRUCTIONS

Model: U8611 Chair

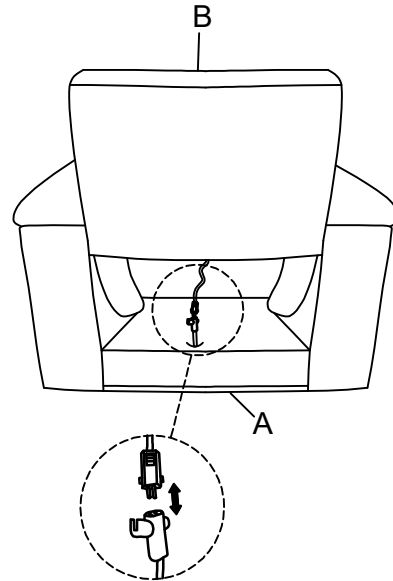
Description: Power Recliner With Power Headrest And Led And .

Thank you for purchasing this quality product. Be sure to check all packing material carefully for small parts that may have come loose inside the carton during shipment

Step 1: Attach back rest (B) into the recliner body (A), as shown below.



Step 2: Connecting the wire from back rest to seat for power headrest as shown below.



Step 3: Use adapter (C) to connect with power then press the button on/off to open the footrest as shown below diagram.

