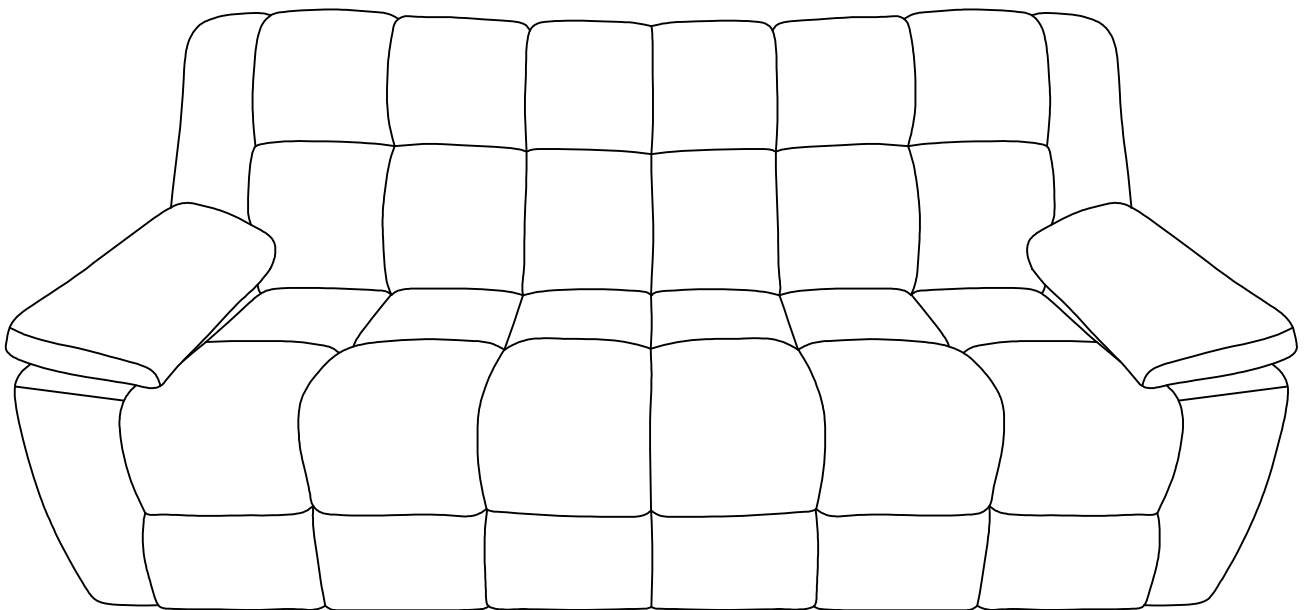


ASSEMBLY INSTRUCTIONS

Model: U6000 Sofa

Description: Reclining Sofa

Thank you for purchasing this quality product. Be sure to check all packing material carefully for small parts that may have come loose inside the carton during shipment

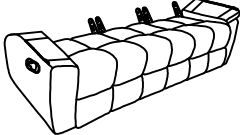
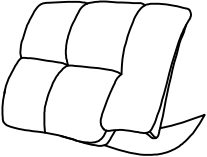
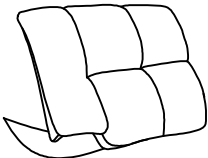

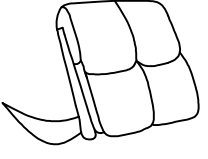



ASSEMBLY INSTRUCTIONS

Model: U6000 Sofa

Description: Reclining Sofa

Thank you for purchasing this quality product. Be sure to check all packing material carefully for small parts that may have come loose inside the carton during shipment

PARTS LIST				PARTS LIST			
NO.	DESCRIPTION	SKETCH	QTY	NO.	DESCRIPTION	SKETCH	QTY
A	SEAT BODY		1 PC	D	RIGHT BACK REST		1 PC
B	LEFT BACK REST		1 PC	E	LEFT ARM PILLOW		1 PC
C	MIDDLE BACK REST		1 PC	F	RIGHT ARM PILLOW		1 PC

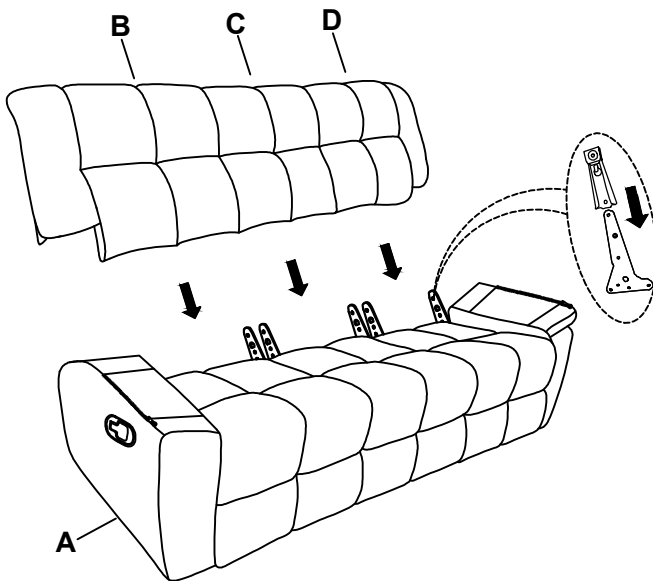
ASSEMBLY INSTRUCTIONS

Model: U6000 Sofa

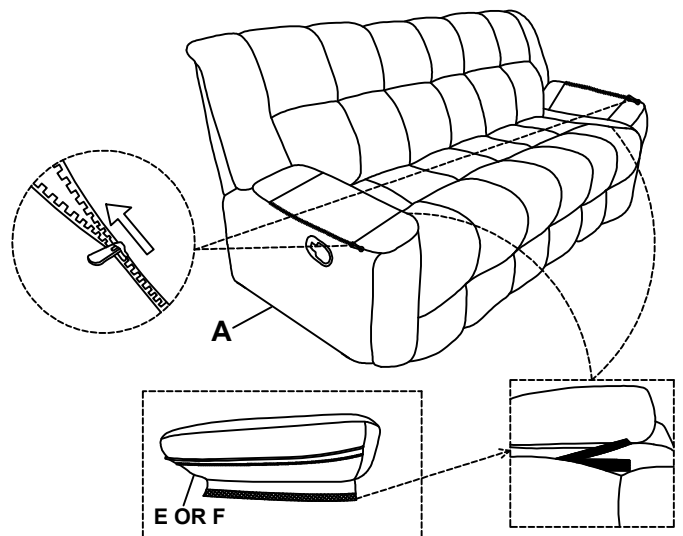
Description: Reclining Sofa

Thank you for purchasing this quality product. Be sure to check all packing material carefully for small parts that may have come loose inside the carton during shipment

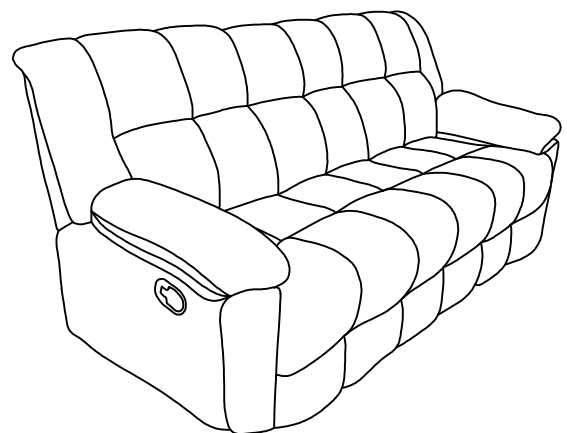
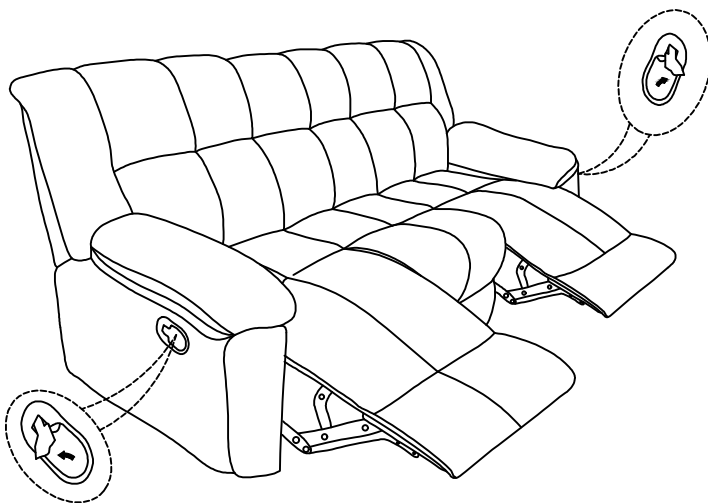
Step 1: Attach Left back rest (B) middle backrest (C) & right back rest (D) to seat (A) as shown below diagram.



Step 2: Use left and right arm pillow to connect to seat (A) by zipper as shown below diagram .



Step 3:



3 OF 3

Made in Vietnam