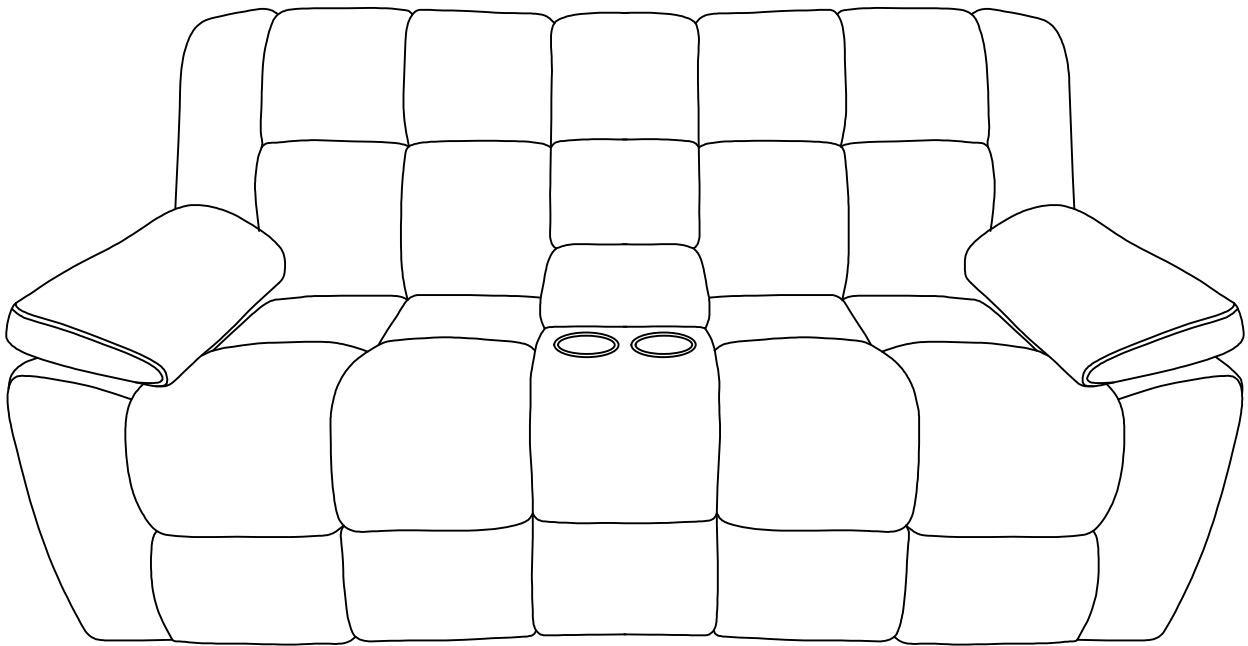


ASSEMBLY INSTRUCTIONS

Model: U6000 Loveseat

Description: Console Reclining Loveseat

Thank you for purchasing this quality product. Be sure to check all packing material carefully for small parts that may have come loose inside the carton during shipment

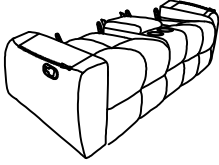
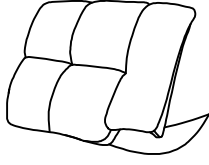
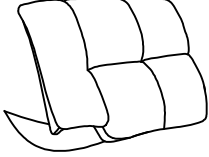

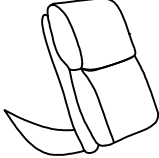



ASSEMBLY INSTRUCTIONS

Model: U6000 Loveseat

Description: Console Reclining Loveseat

Thank you for purchasing this quality product. Be sure to check all packing material carefully for small parts that may have come loose inside the carton during shipment

PARTS LIST				PARTS LIST			
NO.	DESCRIPTION	SKETCH	QTY	NO.	DESCRIPTION	SKETCH	QTY
A	SEAT BODY		1 PC	D	RIGHT BACK REST		1 PC
B	LEFT BACK REST		1 PC	E	LEFT ARM PILLOW		1 PC
C	CONSOLE BACK REST		1 PC	F	RIGHT ARM PILLOW		1 PC

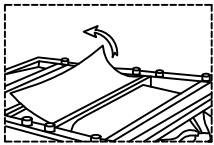
ASSEMBLY INSTRUCTIONS

Model: U6000 Loveseat

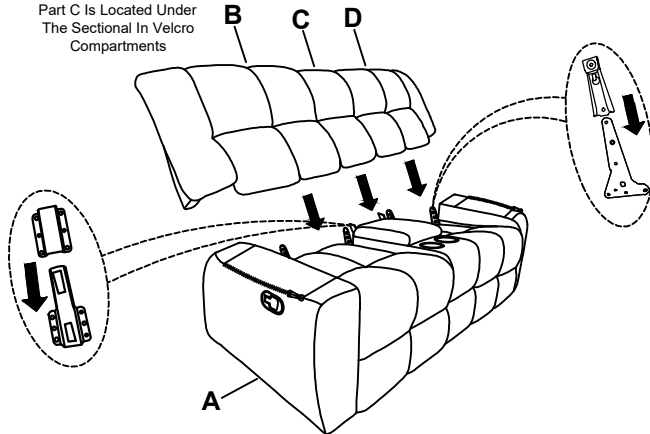
Description: Console Reclining Loveseat

Thank you for purchasing this quality product. Be sure to check all packing material carefully for small parts that may have come loose inside the carton during shipment

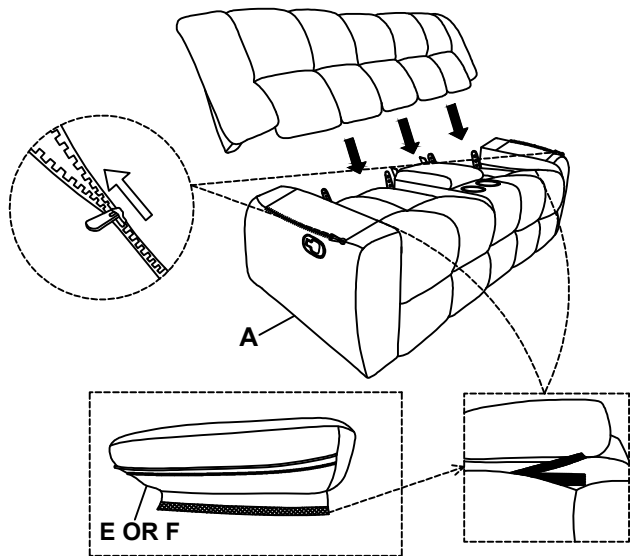
Step 1: Attach Left back rest (B) console backrest (C) & right back rest (D) to seat (A) as shown below diagram.



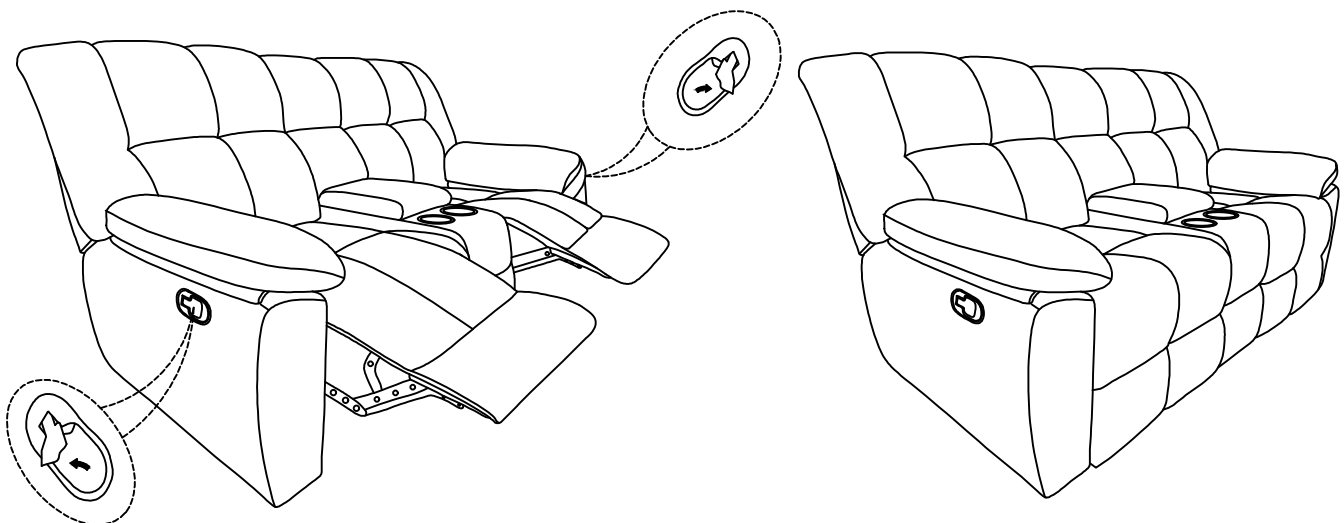
Part C is Located Under The Sectional In Velcro Compartments



Step 2: Use left and right arm pillow to connect to seat (A) by zipper as shown below diagram .



Step 3:



3 OF 3

Made in Vietnam